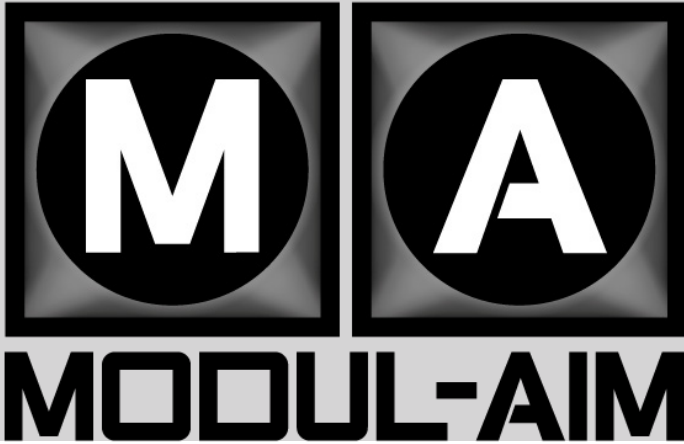


Installation Guide



Assembled Models



CONTRAST
L I G H T I N G



Table of Content

PAGES

Warnings and Warranties	2
Installation General Information	2
Ceiling Cutout.....	3
New Construction Installation	4
Remodel Installation.....	6
Insulated Ceiling Installation	8
Trimless Mesh Installation	9
Mask Installation.....	10
Trim Installation.....	11
Wiring Diagrams.....	12

1 Warnings and Warranties



WARNING - The use of another company's (non-Contrast) products or components in conjunction with Contrast products may not be covered by UL approvals, and could be hazardous. Such use automatically voids all Contrast warranties and responsibility for any problems that may result from such use.



WARNING - SHOCK AND FIRE HAZARD

- Consult a qualified electrician before installing.
- Non-IC: All parts of housing must be at least 3" (76 mm) from insulation materials.
- IC: Insulated Ceiling, except polyurethane.

WARRANTY:

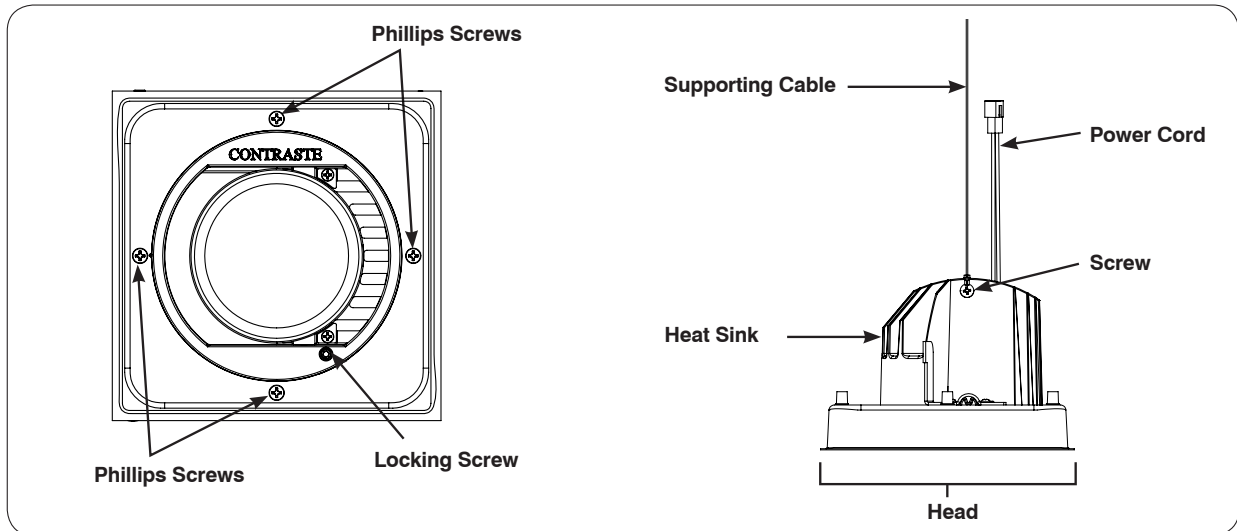
CONTRAST LIGHTING M. L. INC. guarantees the components against manufacturing defects for a period of one (1) year, under normal use with proof of purchase. The obligation of the manufacturer consists in the cost of the components and does not cover the cost of labor and transportation for replacement. For all claims, please contact your local supplier. See our Web site for additional warranty details.

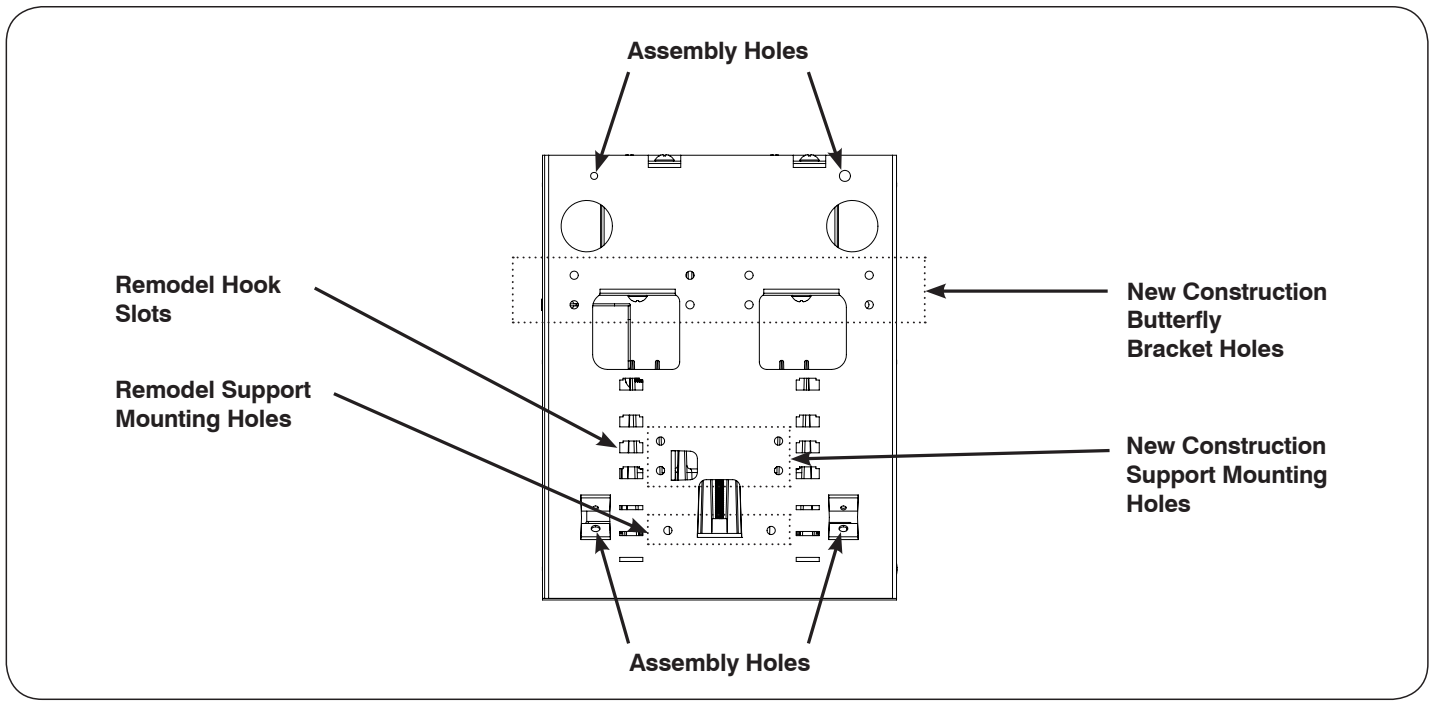
Note: 5 year warranty on driver and LED module.

Please keep these instructions for future reference.

2 Installation General Information

Before assembling two or more units together you must remove heads. To do so, remove the 4 Phillips screws, pull up the head, unplug the unit power cord and remove the screw on heat sink retaining the supporting cable. Keep the projector assembly in a safe place to prevent losses and damages.



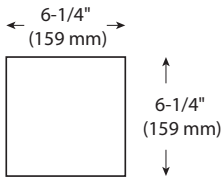


3 Ceiling Cutout

Cut ceiling openings to the appropriate size:

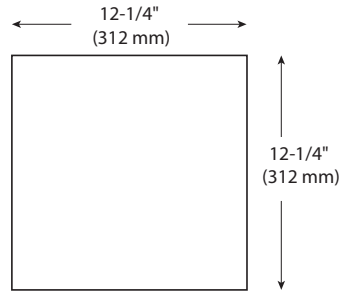
- XXMOD1 (1 Head):

6-1/4" x 6-1/4" (159 mm x 159 mm)



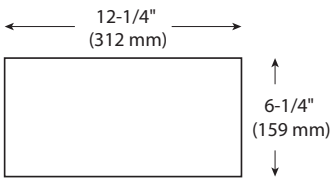
- XXMODS (4 Heads):

12-1/4" x 12-1/4" (312 mm x 312 mm)

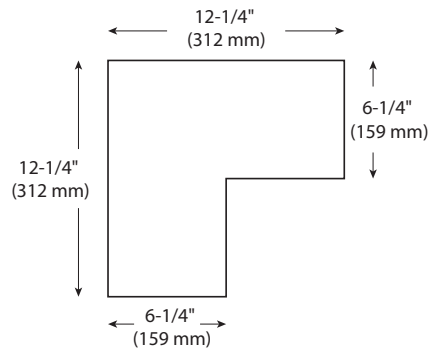


- XXMOD2 (2 Heads):

12-1/4" x 6-1/4" (312 mm x 159 mm)

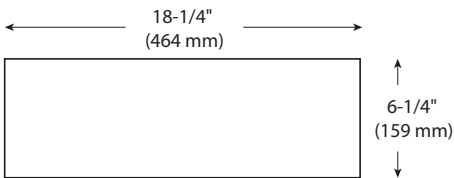


- XXMODL (3 Heads):

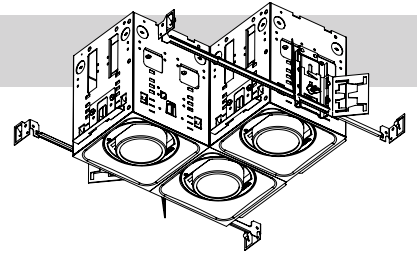


- XXMOD3 (3 Heads):

18-1/4" x 6-1/4" (464 mm x 159 mm)



4 New Construction Installation

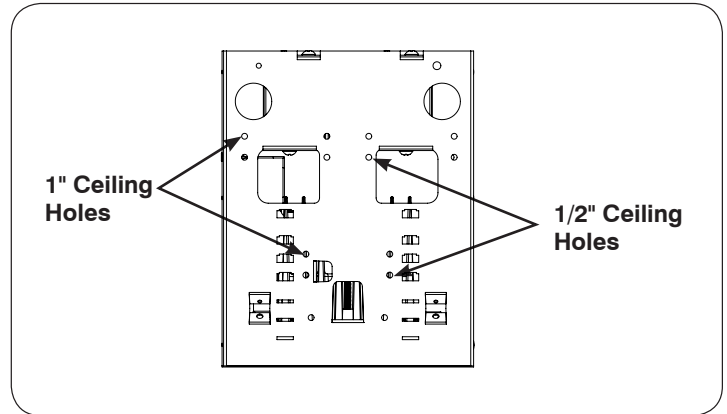


BEFORE STARTING

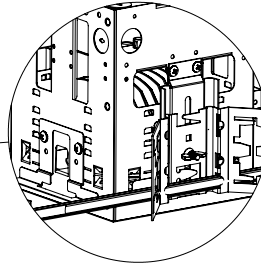
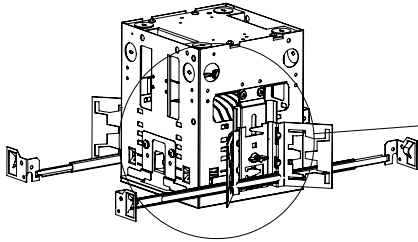
Make sure the space into which you are installing the housings allows **at least 15"** between joists or suspended ceiling T bars and **8-1/2" (216 mm)** clearance in height.

To begin installation, refer to section 2. Then, continue with the following steps.

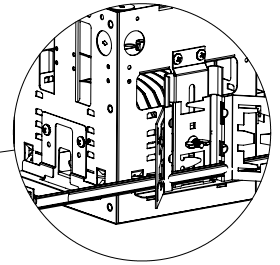
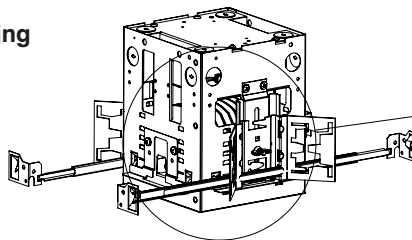
1. Mounting brackets have been installed at factory for a 1/2" thick ceiling. For a 1" thick ceiling unscrew brackets and mounting feet and screw them in upper holes.



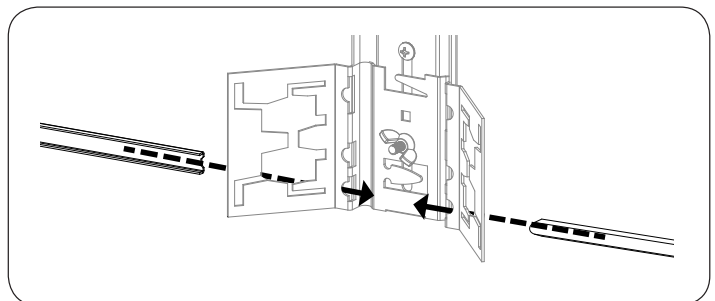
1/2" thick ceiling



1" thick ceiling

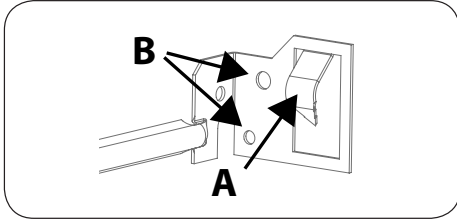


2. Slide mounting bars into the butterfly brackets.

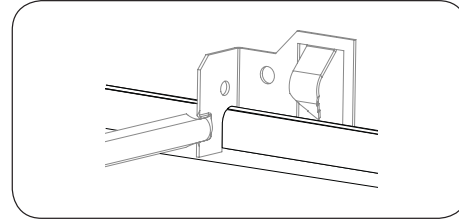


- Position the housing then secure mounting bars onto the ceiling joists or the suspended ceiling T bars.

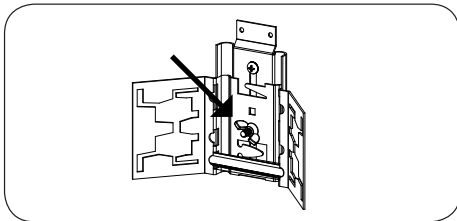
Joists: Hammer tack point (A) or screw (B) the mounting bar onto the joists.



Suspended ceiling: Hang the mounting bars onto the T bars.



- Adjust and align the housing to its final position.
- Tighten the wing nuts on the butterfly brackets to lock the mounting bars into a fixed position.

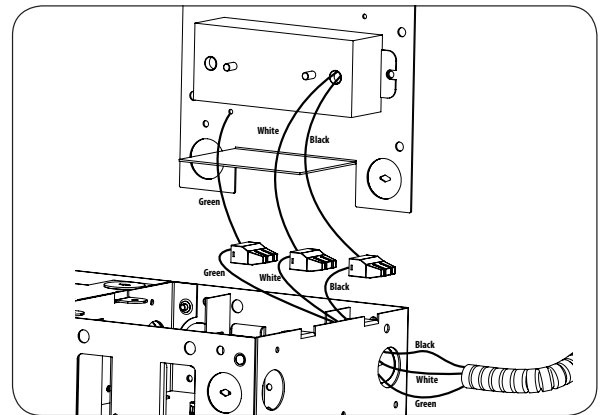


6. SHUT OFF THE ELECTRICAL SUPPLY AT SOURCE.

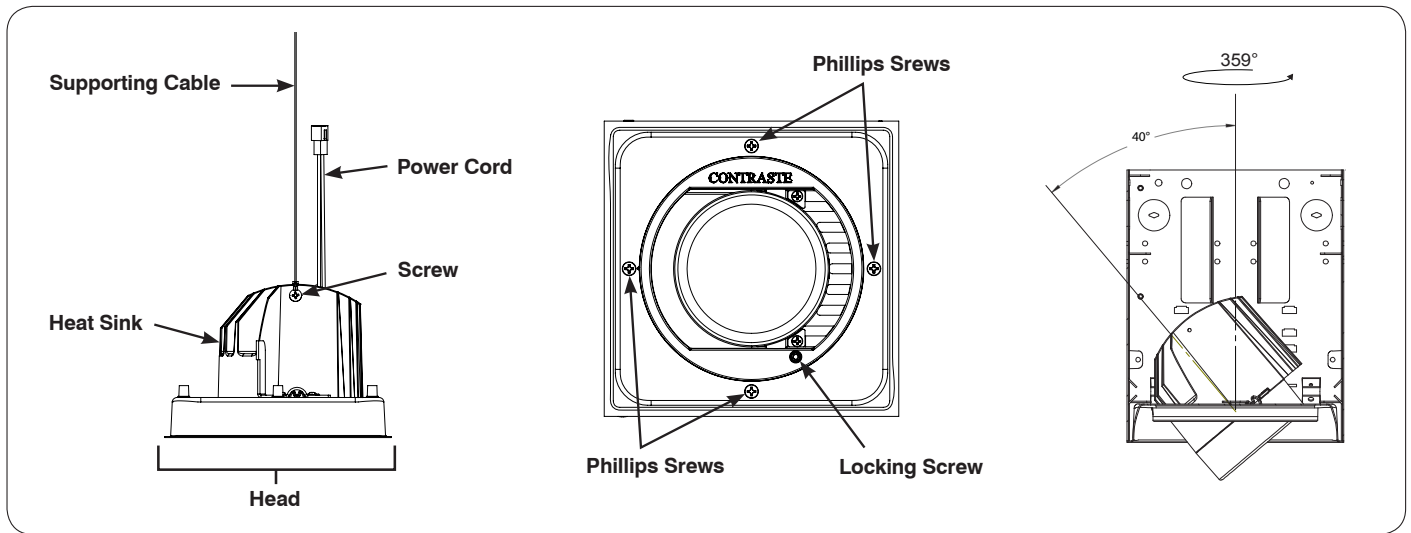
- Bring the electrical wiring to the Modul-Aim, as per applicable national and local electrical codes.
- Choose a junction box for connections; open the cover and break the knockout you need.
- Connect wires coming from the electrical supply to the unit matching the colors together, using push-in connectors provided.

You may also have to connect 0-10V dimming wires. Then connect grey with grey and purple with purple, using a different for that knockout purpose. Close the junction box.

(Refer to section 10 for wiring diagrams)

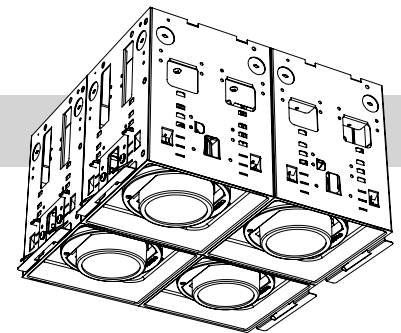


- Make ceiling cutout referring to the table in section 3.
- Install the ceiling material.
- For a trimless installation, refer to section 7.
- Once the ceiling material is painted, reinstall the head(s) flush to the ceiling. To do so, start by fixing the supporting cable on the head with the screw set aside in section 2. Then, connect the power cord and screw the 4 Phillips screws. Screws allow a 3/4" adjustment range in height. Adjust the head to the desired aiming position and lock it with the Allen key provided.



- 14. If you install a mask, refer to section 8.
- 15. If you install a trim, refer to section 9.

5 Remodel Installation



BEFORE STARTING

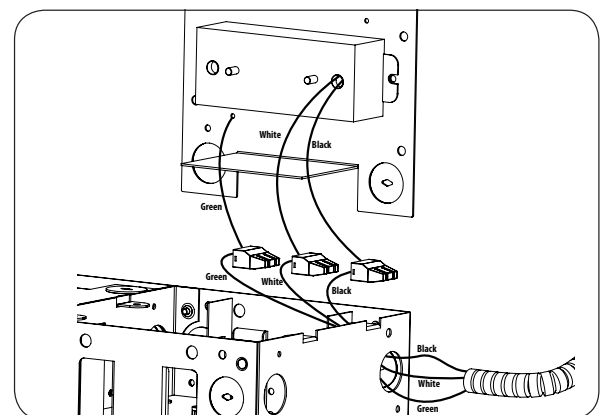
Make sure the space into which you are installing the housings allows **at least 15"** between joists or suspended ceiling T bars and **8-1/2" (216 mm)** clearance in height.

To begin installation, refer to section 2. Then, continue with the following steps.

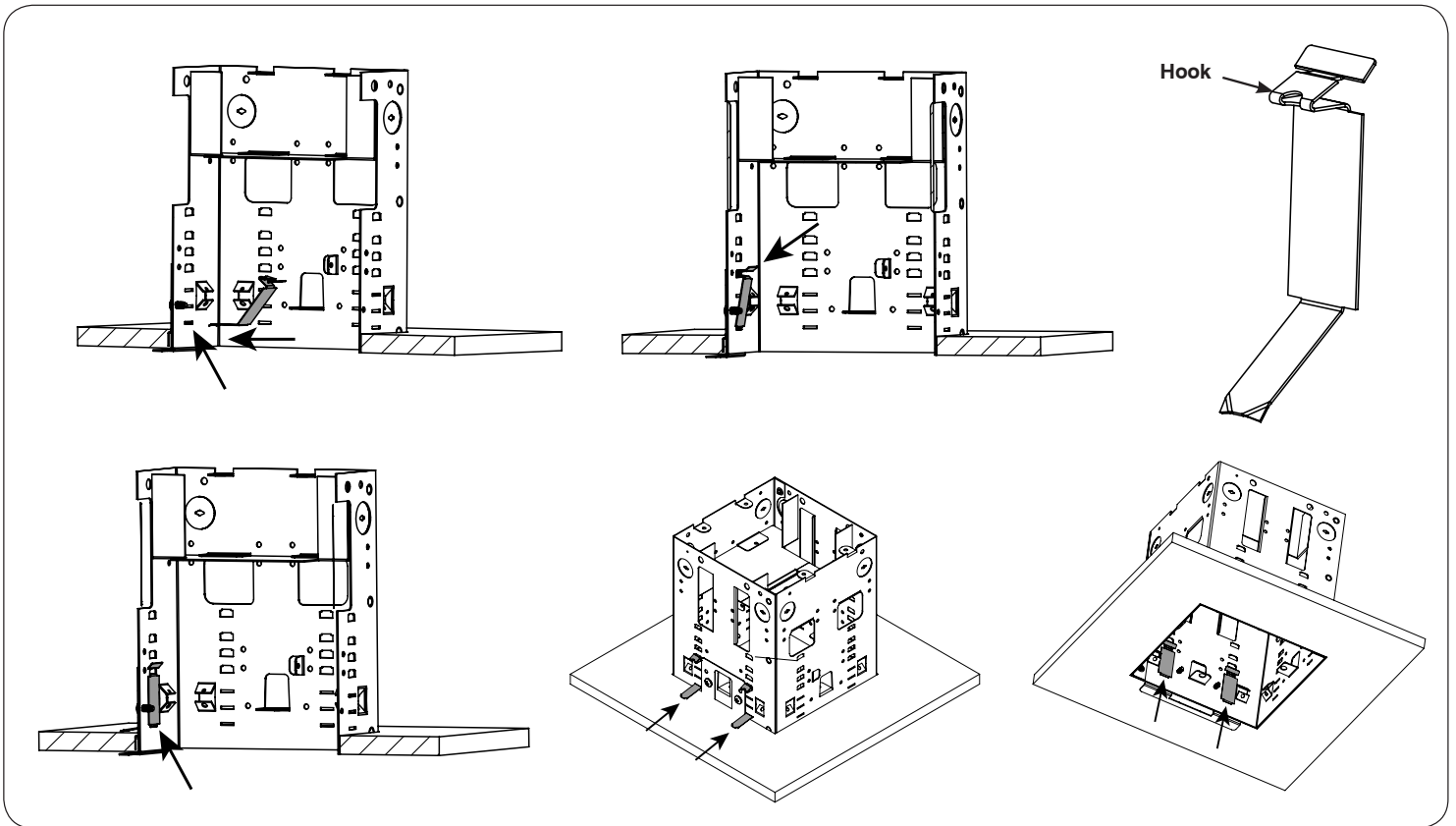
1. **SHUT OFF THE ELECTRICAL SUPPLY AT SOURCE.**
2. Make ceiling cutout referring to the table in section 3.
3. Bring the electrical wiring to the Modul-Aim, as per applicable national and local electrical codes.
4. Choose a junction box for connections; open the cover and break the knockout you need.
5. Connect wires coming from the electrical supply to the unit matching the colors together, using push-in connectors provided.

You may also have to connect 0-10V dimming wires. Then connect grey with grey and purple with purple, using a different for knockout that purpose. Close the junction box.

(Refer to section 10 for wiring diagrams)

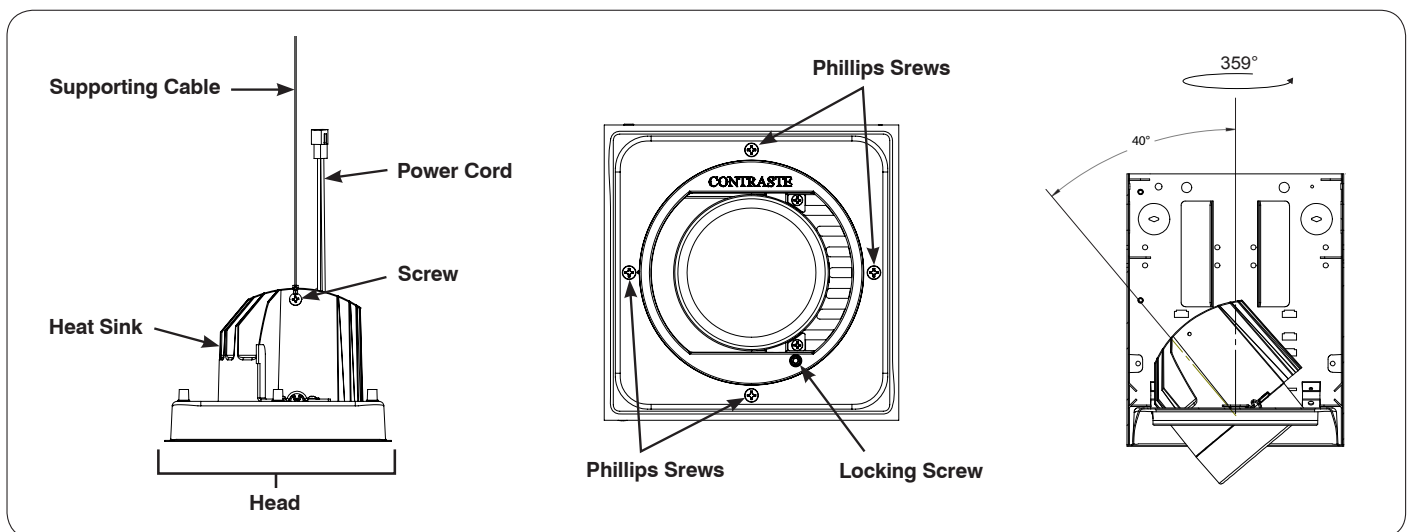


6. Insert assembled unit in the ceiling opening. Fix it with the hooks by inserting them in the corresponding slots of your ceiling thickness. (Up to 2" thick)



7. For a trimless installation, refer to section 7.

8. Once the ceiling material is painted, reinstall the head(s) flush to the ceiling. To do so, start by fixing the supporting cable on the head with the screw set aside in section 2. Then, connect the power cord and screw the 4 Phillips screws. Screws allow a 3/4" adjustment range in height. Adjust the head to the desired aiming position and lock it with the Allen key provided.



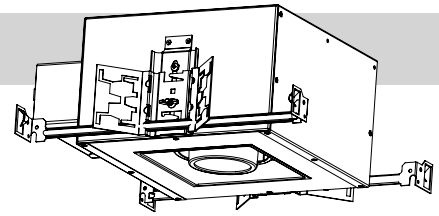
9. If you install a mask, refer to section 8.

10. If you install a trim, refer to section 9.

6 Insulated Ceiling Installation

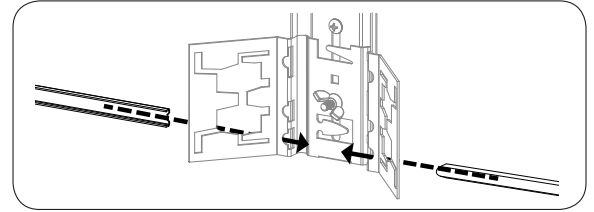
BEFORE STARTING

Make sure the space into which you are installing the housings allows **at least 15"** between joists or suspended ceiling T bars and **8-1/2" (216 mm)** clearance in height. Cannot be installed in direct contact with polyurethane insulation. (3" minimum clearance required)



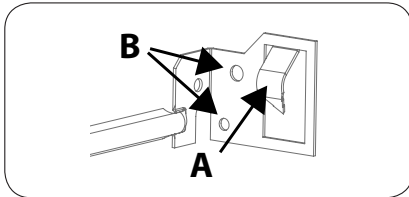
To begin installation, refer to section 2. Then, continue with the following steps.

1. Slide mounting bars into the butterfly brackets.

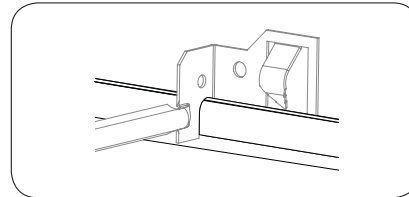


2. Position the housing then secure mounting bars onto the ceiling joists or the suspended ceiling T bars.

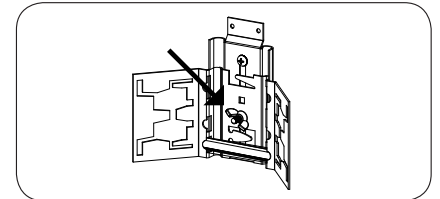
Joists: Hammer tack point (A) or screw (B) the mounting bar onto the joists.



Suspended ceiling: Hang the mounting bars onto the T bars.



3. Adjust and align the housing to its final position.
4. Tighten the wing nuts on the butterfly brackets to lock the mounting bars into a fixed position.

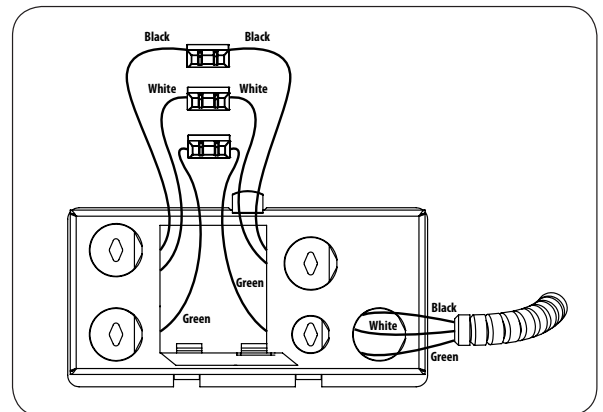


5. SHUT OFF THE ELECTRICAL SUPPLY AT SOURCE.

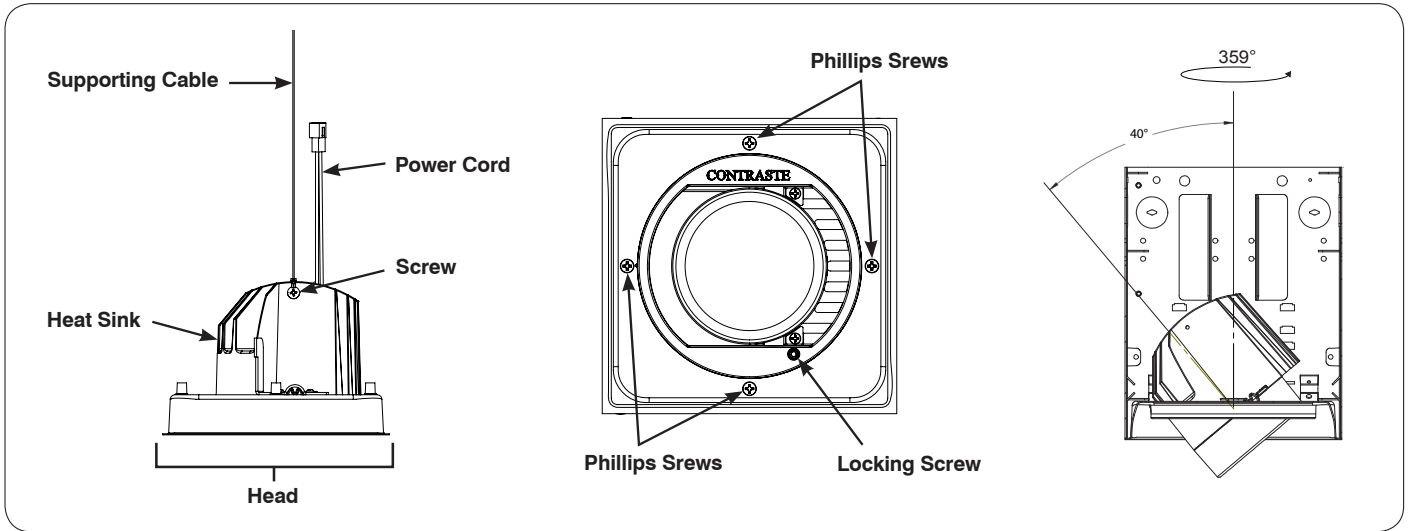
6. Bring the electrical wiring to the Modul-Aim, as per applicable national and local electrical codes.
7. Choose a junction box for connections; open the cover and break the knockout you need.
8. Connect wires coming from the electrical supply to the unit matching the colors together, using push-in connectors provided.

You may also have to connect 0-10V dimming wires. Then connect grey with grey and purple with purple, using a different for knockout that purpose. Close the junction box.

(Refer to section 10 for wiring diagrams)



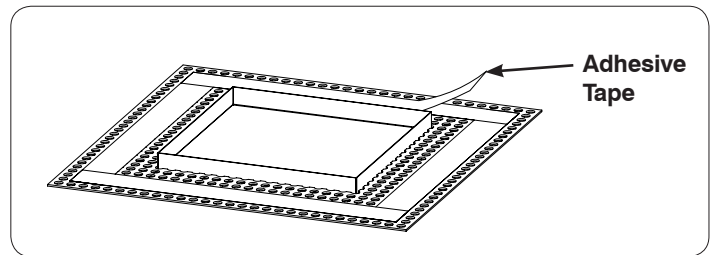
9. Make ceiling cutout referring to the table in section 3.
10. Install the ceiling material. Adjust inner housing 1/8" regressed in the ciling using 4 wing screws.
11. For a trimless installation, refer to section 7.
12. Once the ceiling material is painted, reinstall the head(s) flush to the ceiling. To do so, start by fixing the supporting cable on the head with the screw set aside in section 2. Then, connect the power cord and screw the 4 Phillips screws. Screws allow a 3/4" adjustment range in height. Adjust the head to the desired aiming position and lock it with the Allen key provided.



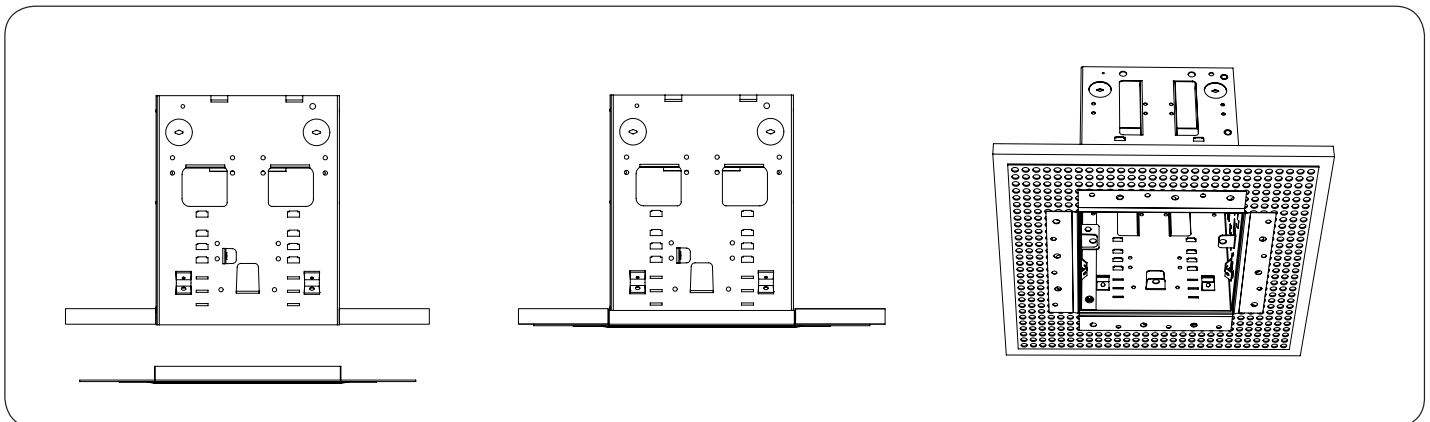
13. If you install a mask, refer to section 8.
14. If you install a trim, refer to section 9.

7 Trimless Mesh Installation

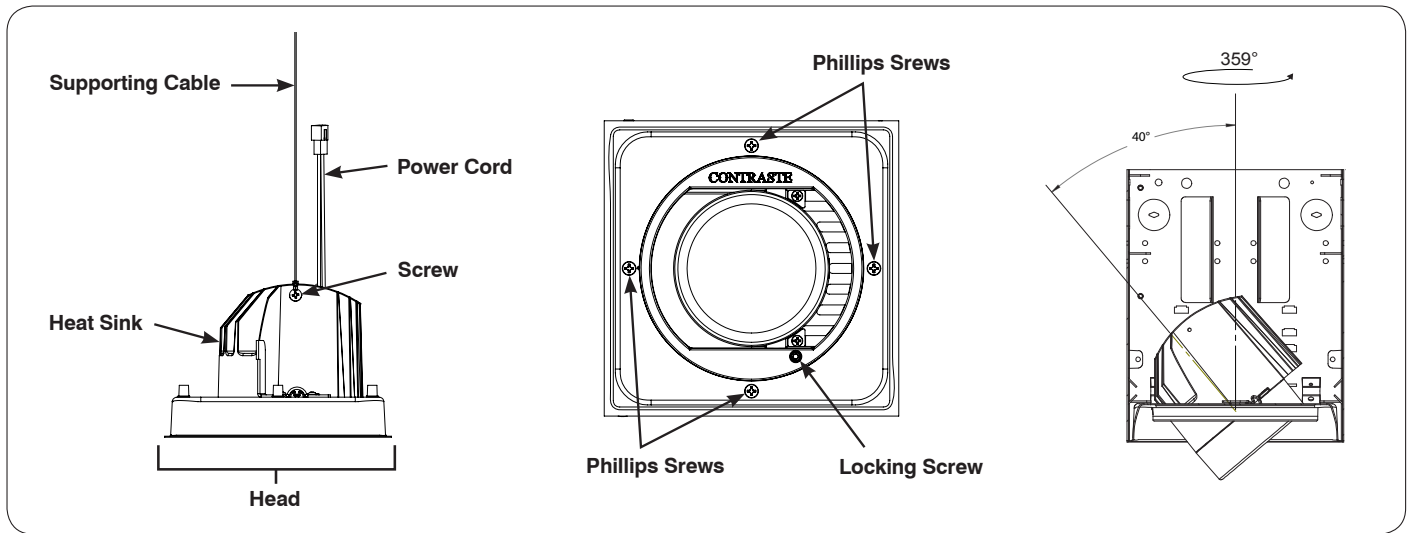
1. Remove backing paper from adhesive tape.



2. Install the trimless mesh to the ceiling opening making sure to center it exactly with the module. Press firmly. You are ready to plaster it.

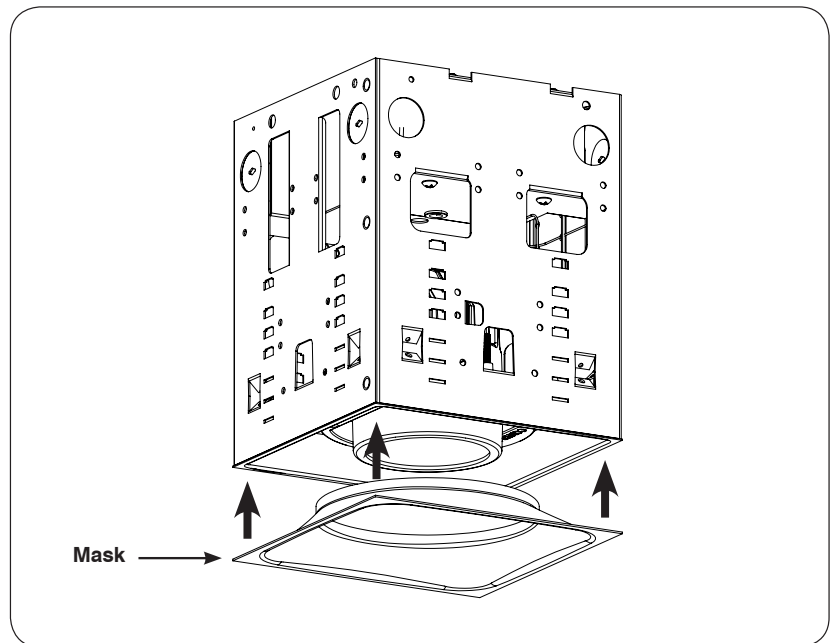


3. Once the plaster is completed, paint the ceiling and the inside metal border to ensure smooth finish.
4. Reinstall the head(s) flush to the ceiling. To do so, start by fixing the supporting cable on the head with the screw set aside in section 2. Then, connect the power cord and screw the 4 Phillips screws. Screws allow a 3/4" adjustment range in height. Adjust the head to the desired aiming position and lock it with the Allen key provided.



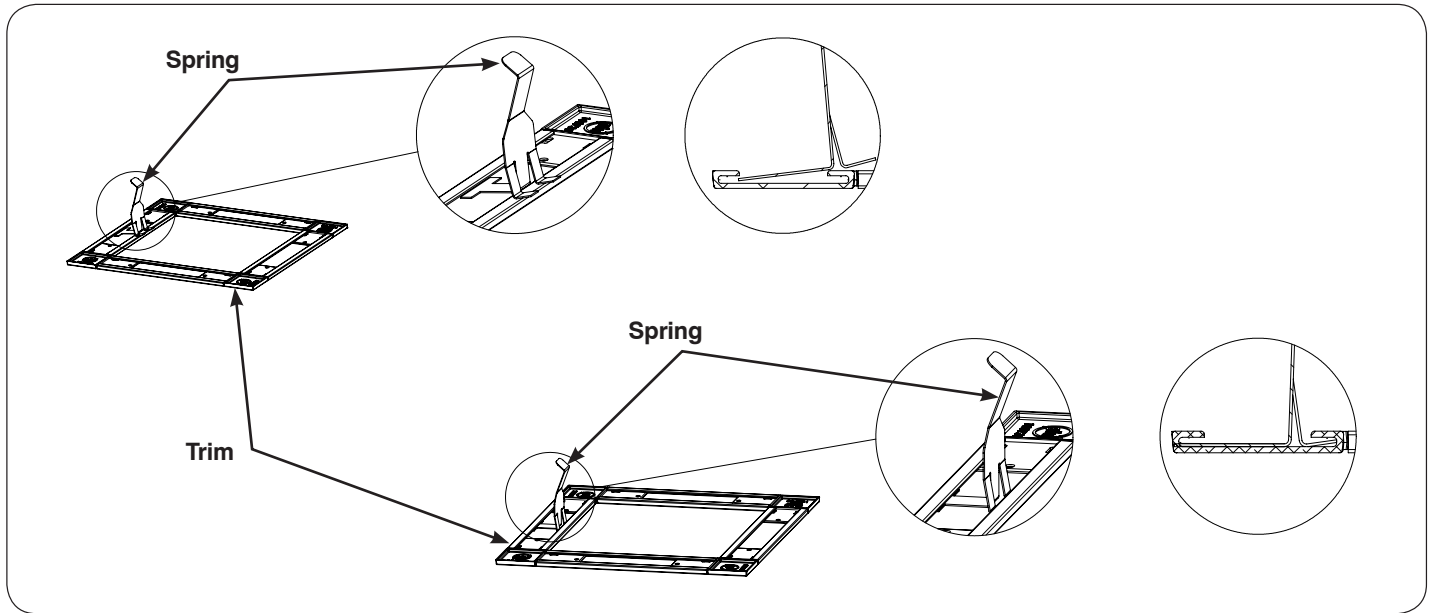
8 Mask Installation

For installation, simply align the mask with the head. The magnets will hold it securely.

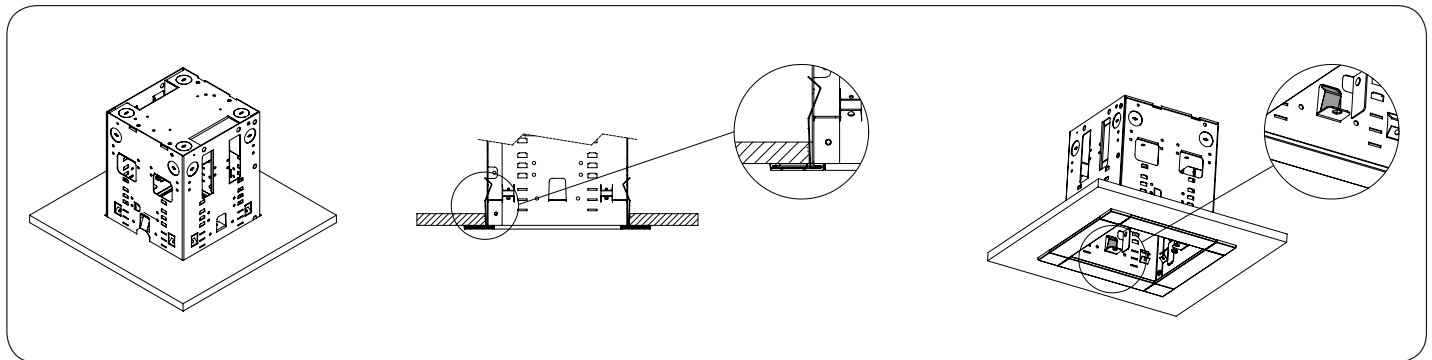


9 Trim Installation

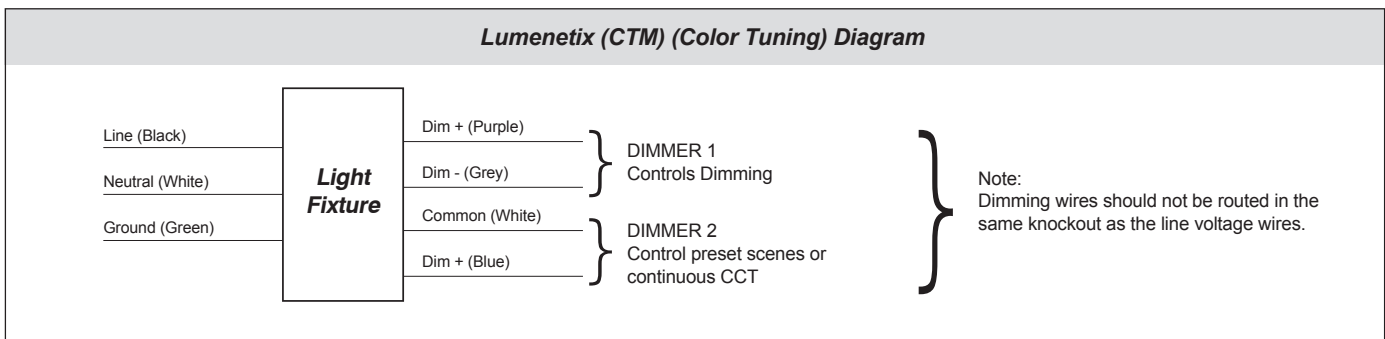
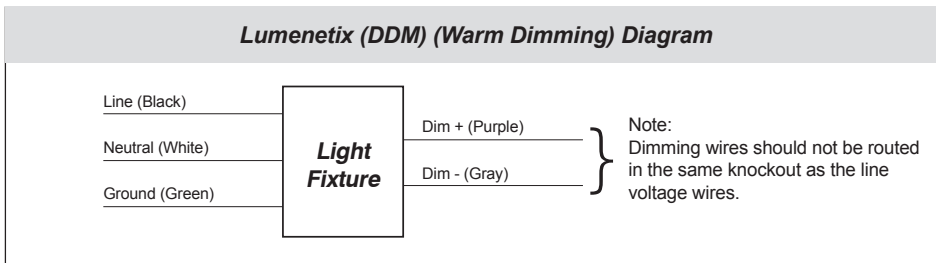
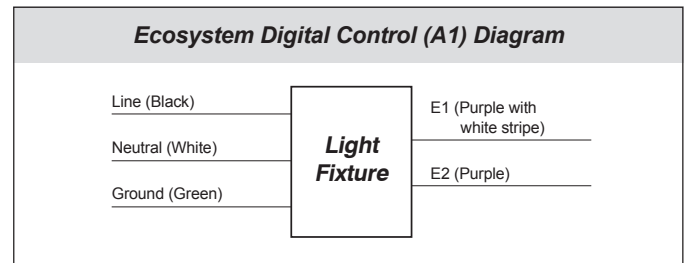
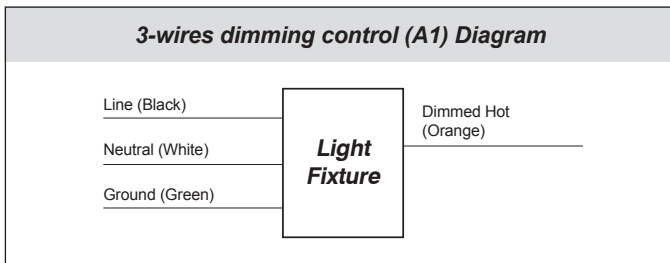
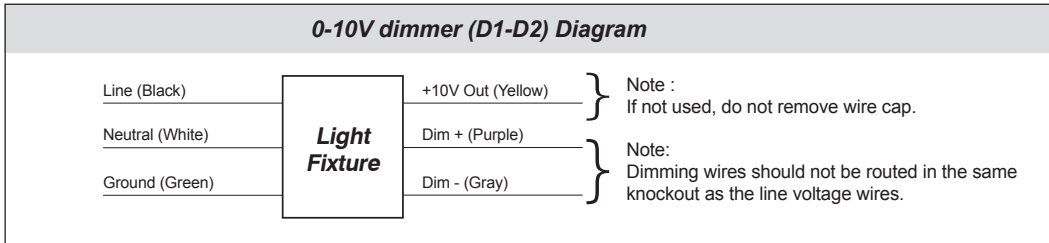
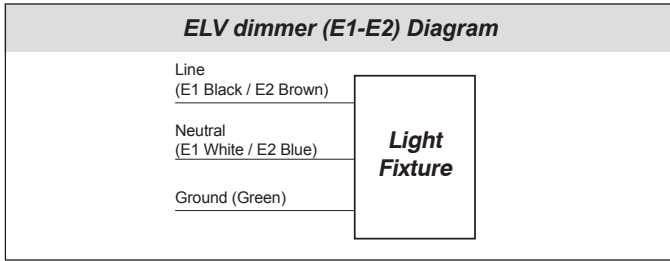
1. Install springs on the trim. Their positions are identified by stickers. Insert the long leg first facing the outside. Then insert the short legs.



2. Install the trim by inserting springs in the space between the module and the ceiling opening.



10 Wiring Diagrams



CONTRAST

L I G H T I N G

CONTRAST LIGHTING M. L. INC.
1009 RUE DU PARC-INDUSTRIEL
LÉVIS QC G6Z 1C5
CANADA

Tel: 1-888-839-4624
Fax: 1-877-839-7057
info@contrastlighting.com
www.contrastlighting.com

© 2015 Contrast Lighting M.L. Inc.
All rights reserved

EC649 - 103800
2015-06

PRINTED IN CANADA