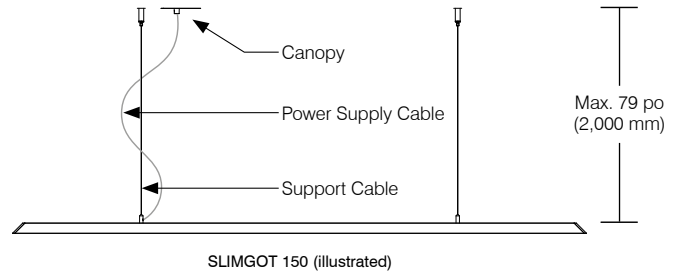


Slimgot 120 and Slimgot 150

Extra-thin LED Linear Suspension System

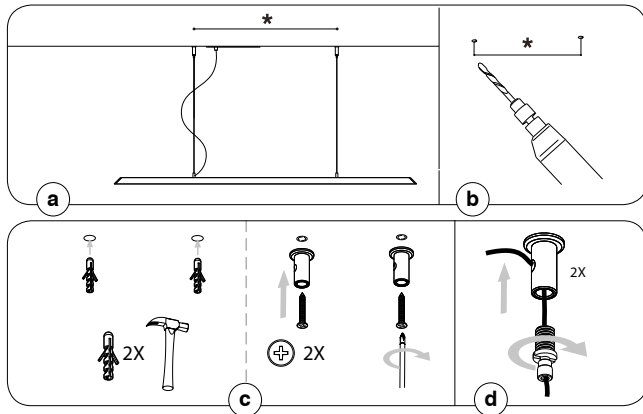
ARKOSLIGHT BY/PAR CONTRASTE



1. SHUT OFF THE ELECTRICAL SUPPLY AT SOURCE

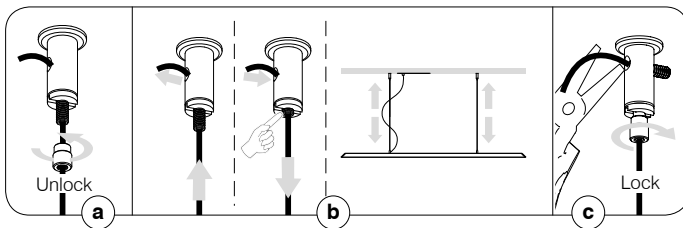
2. FIXTURE INSTALLATION ON CEILING

- a) Align and mark anchor holes in order to position the junction box properly based on appropriate drilling template.
 - *Slimgot 150: 33-7/8" (860 mm) center to center
 - *Slimgot 120 : 22-7/16" (570 mm) center to center
- b) Drill holes using templates.
- c) Install anchor using included hardware.
- d) Install support cables on anchor fixed on ceiling.



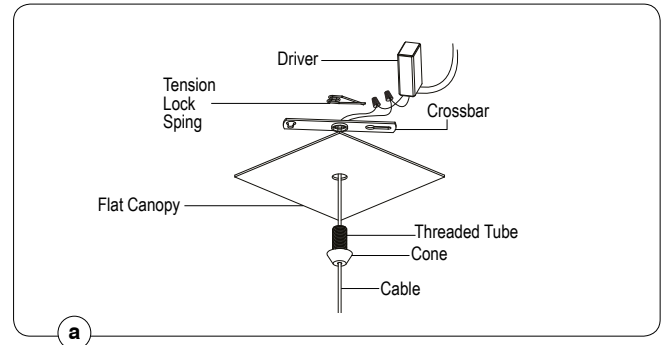
3. AJUST HEIGHT OF THE FIXTURE

- a) Unlock the adjustable anchors installed on the ceiling.
- b) Push on the cable to reduce cable length, push on the anchor to release tension to increase cable length.
- c) Screw the anchor to lock in place. Cut the excess support cable

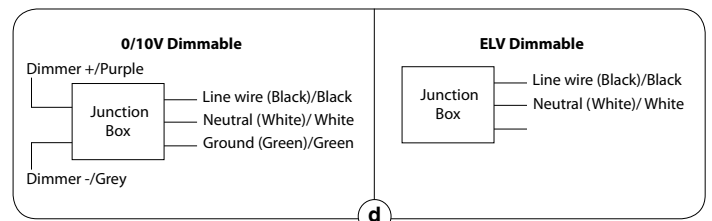


4. ELECTRICAL CONNECTION

- a) Bring the electrical supply wires to the junction box, according to local electrical code.



- b) Unscrew the crossbar from the threaded tube.
- c) Validate your junction box is large enough to put the driver. (Validate with electrical codes in your area.) If necessary, use the extension junction box included.
- d) Connect the wires of the converter wires watching the colors: Black/Black, White/White and Green/Green. For 0-10V Grey/Grey, Purple/Purple. Insert the driver into the junction box.
- e) Screw the crossbar on the junction box. Bring the Flat Canopy to the ceiling.
 - *Note: For cable installation: Adjust the cable length with the tension lock spring and secure with a knot to stop the cable.
- f) Secure by screwing threaded tube with the cone until the Flat Canopy rests tight to the ceiling.



Please keep these instructions for future reference.

WARNING
The use of other company's (non-Contraste) products or components (e. g. trims) in conjunction with Contraste Lighting M.L. Inc. products may not be covered by UL approvals and could be hazardous. Such use automatically voids all Contrast Lighting M.L. Inc. warranty and responsibility of these products.

WARNING: RISK OF FIRE
Most dwellings built before 1985 have supply wires rated 60° C. Consult a qualified electrician before installing.
It is very important not to exceed the lamp's indicated wattage.



WARRANTY: CONTRAST LIGHTING M. L. INC. guarantees the components against manufacturing defects for a period of one (1) year, under normal use with proof of purchase. The obligation of the manufacturer consists in the cost of the components and does not cover the cost of labor and transport for replacement. For all claims, please contact your local supplier. See our Web site for additional warranty details.

CONTRASTE

1009, rue du Parc Industriel
Lévis (Québec) G6Z 1C5 Canada
Tel.: 1-888-839-4624
Fax.: 1-877-839-7057
contrastlighting.com
info@contrastlighting.com

© 2017 Contrast Lighting M.L. Inc.
All rights reserved

EC677
104084

Contrast Lighting M.L. Inc. reserves the right to make changes in specifications and/or to discontinue any product at any time without notice or obligation and will not be liable for any consequences resulting from the use of this publication.