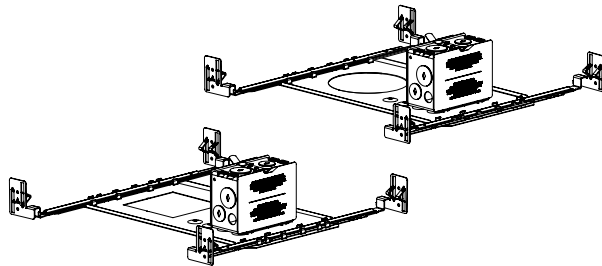


# Ardito

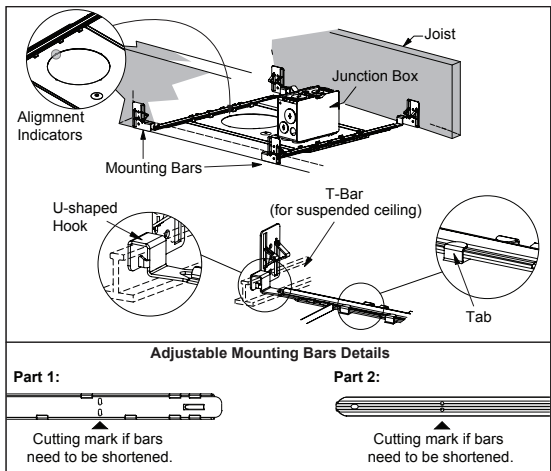
## Ardito LED New Construction Housings – 3-1/2" and 4" Series

DO NOT INSTALL IN INSULATION – SUITABLE FOR DAMP LOCATION

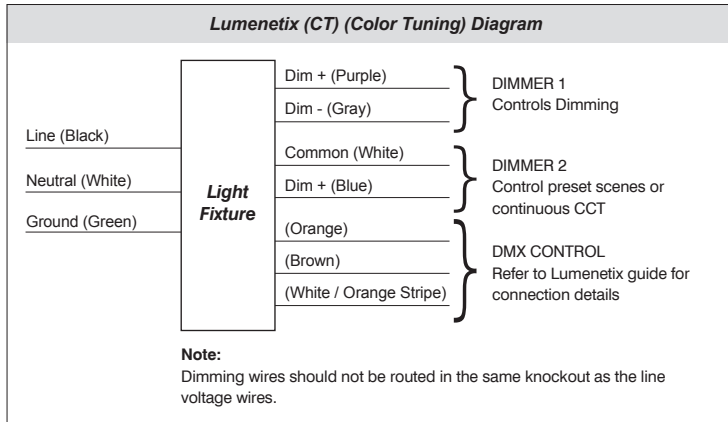
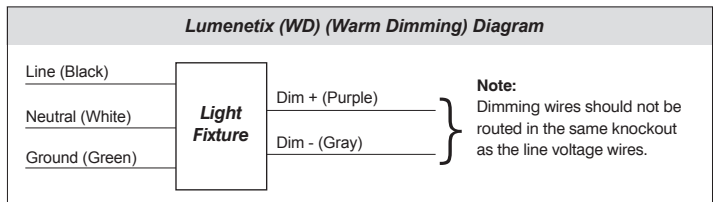
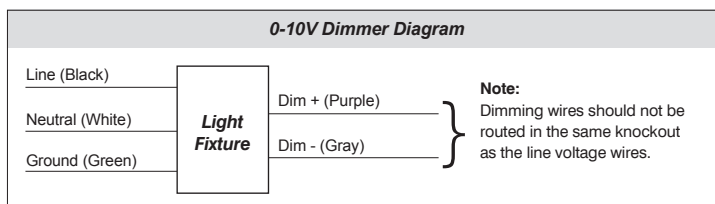
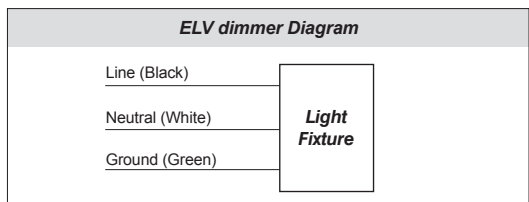
NWA3RV1, NWA3RV2, NWA3RVL, NWA3SV1, NWA3SV2, NWA3SVL,  
NWA4RV1, NWA4RV2, NWA4RVL, NWA4SV1, NWA4SV2, NWA4SVL



- SHUT OFF ELECTRICAL SUPPLY AT SOURCE.**
- Locate position of the housing before installing the ceiling material. Fasten the housing to the wood joist (or other ceiling type) with the adjustable mounting bars of 10" (254 mm) to 24.5" (622 mm). To shorten the bars to 10" (254 mm), remove bars and cut off at the notch (see adjustable mounting bars detail view).
- Once the correct bar length is known, fold down and press tabs to lock the plate to the mounting bars. Using a pliers, tighten the U-shaped hooks on the T-bars.



- Bring the electrical wiring to the housing junction box as per applicable local electrical codes.
- Insert the 120/277V supply lead through a knockout of the junction box, open the junction box and make the electrical connections according to the wires: White/White, Black/Black and Green/Green and 0-10V dimmer wires if needed (see wiring diagrams below).



- Install the ceiling material and mark the ceiling cutout center.  
**Note:** During the installation of square series housings, it is strongly recommended to use a laser level to align openings while using alignment indicators as a guide.
- CEILING CUTOUT**  
**IMPORTANT:** As the side trim is very thin and narrow, the edges of the hole must be clear, precise and without notches so that the trim fits perfectly in the ceiling.

**Note:** For square trim, it is strongly recommended to use the cardboard drilling template included with the trim. A reusable steel cutout template is also offered as an option.

**Note:** Refer to the installation instructions sheet trim to know the minimal clearance recommended under the ceiling.

**Cutting Diameter:**  
3-1/2" Round Trims:  $\varnothing$  3-3/4" (95 mm)  
3-1/2" Square Trims: 3-3/4" (95 mm) x 3-3/4" (95 mm)  
4" Round Trims:  $\varnothing$  4-1/4" (108 mm)  
4" Square Trims: 4-1/4" (108 mm) x 4-1/4" (108 mm)

**Note:** For installation spacing requirements of wall wash trim, please see specification sheet.

- Complete the installation. Refer to the installation guide of the trim chosen.

**Please keep these installation instructions for future maintenance.**



**WARNING**  
The use of other company's (non-Contrast) products or components (e. g. trims) in conjunction with Contrast Lighting M.L. Inc. products may not be covered by UL approvals and could be hazardous. Such use automatically voids all Contrast Lighting M.L. Inc. warranty and responsibility of these products.

**WARNING: RISK OF FIRE**  
Most dwellings built before 1985 have supply wires rated 60° C. Consult a qualified electrician before installing.

**It is very important not to exceed the lamp's indicated wattage.**

**Due to constant evolution of dimmers we must test them regularly. We invite you to frequently visit our Web site to find our dimmer compatibility list: [www.contrastlighting.com](http://www.contrastlighting.com)**

**WARRANTY:** CONTRAST LIGHTING M. L. INC. guarantees the components against manufacturing defects for a period of one (1) year, under normal use with proof of purchase. The obligation of the manufacturer consists in the cost of the components and does not cover the cost of labor and transport for replacement. For all claims, please contact your local supplier. See our Web site for additional warranty details. **Note:** 5-years warranty on driver and LED module.