

SPECIFICATION SHEET

# Ardito LED - A4RSF

## 4" Series

### Ultra-Thin Profile Round Regressed Shower Trim

Project \_\_\_\_\_

Notes \_\_\_\_\_

Fixture Type \_\_\_\_\_

Date \_\_\_\_\_



**WITH FLANGE**

A4RSF-2222 - XXX (illustrated)



**FLANGELESS TRIM**

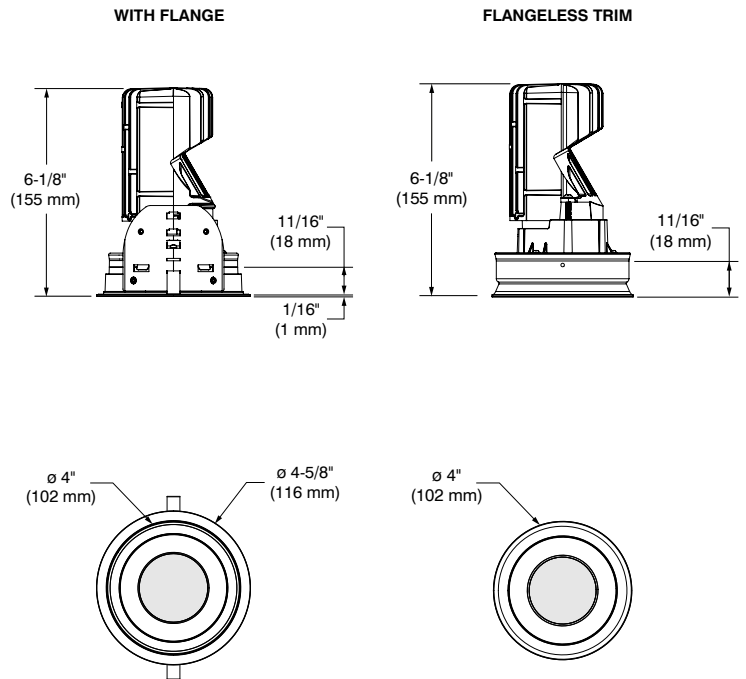
A4RSF-TR22 - XXX (illustrated)

Aluminum round, 4" high efficiency regressed shower dimmable LED downlight trim. May be installed with a low profile ultra-thin flange or flangeless trim in configuration for insulated, non-insulated and remodel (non-IC) ceilings.



## SPECIFICATIONS

TRIM DETAILS	<p>Requires a 6-1/2" (165 mm) clearance beyond the ceiling level.</p> <p>Perfect fit into ceiling</p> <p>Each part of the housing should be at LEAST 3" (76 mm) from insulation (non-IC configurations)</p> <p>Can fit in ceilings up to 1-1/2" (38 mm) thick</p> <p>Junction box is accessible from below the ceiling for ease of maintenance</p>
HEAT SINK	High quality injection molded aluminum heat sink ensuring maximum heat dissipation for optimal performance.
CEILING CUTOUT	<b>ø 4-1/4" (108 mm)</b>
CERTIFICATION	<ul style="list-style-type: none"> <li>cULus <b>E343977</b> for wet locations</li> <li>Certified under California Energy Commission according to reference joint Appendix 8 (JA8-2016)</li> <li>Certified Air Tight ASTM E283</li> </ul>
WARRANTY	<p>1 year on components against manufacturing defects</p> <p>5 years on LED arrays and drivers</p>



# Ardito LED - A4RSF

4" Series

## Ultra-Thin Profile Round Regressed Shower Trim



### SPECIFICATIONS (CONT'D)

COMPATIBLE HOUSINGS

	Remodel Housing	New Construction Housing	Insulated Housing	Insulated Air Tight Housing (Title 24)		Ceiling thickness suggested for insulated housing as a using standard.
<b>Performance 1 (14W)</b>	REA4V1	NWA4RV1	*ISA4RV1	*ICAT6R4-ARV1		* Ceiling thickness must be at least 1/4" (6.4 mm) for insulated housing as a using standard.
<b>Performance 2 (23W)</b>	REA4V2	NWA4RV2	*ISA4RV2	*ICAT6R4-ARV2		

For dimming, please visit our Web site frequently to find suggested compatible dimmer list: [www.contrastlighting.com](http://www.contrastlighting.com)

### LIGHT ENGINE

**STANDARD (SOLID WHITE)**

Lumileds Luxeon CoB 1205 GEN3.

L<sub>70</sub> @ 50,000 hours of operation.

3-Step MacAdam ellipse (3 SDCM)

Color Temperatures: 2,700K - 3,000K - 3,500K - 4,000K

CRI: 90+ (93 typical)

R9: >50

Delivered Lumens: Performance 1 (14W) - 1,257 lumens @ 3,000K, 89.8 lm/W	} <b>Clear lens</b>
Performance 2 (23W) - 1,878 lumens @ 3,000K, 81.7 lm/W	
Performance 1 (14W) - 945 lumens @ 3,000K, 67.5 lm/W	} <b>Frosted lens</b>
Performance 2 (23W) - 1,392 lumens @ 3,000K, 60.5 lm/W	

Power Supply: 120V / 277V (universal input)

One driver available in 2 performances (14W and 23W) and offering 2 dimming options within the same unit:

ELV: 120V only

0-10V: 120V / 277V

Consult housing specification sheet for more details.

### OPTIC SYSTEM

Interchangeable optional optical lenses available to customize your lighting.

**Choice of available lenses:**

**Clear (C)**

**Frosted (F)**

Flood (L) — with clear and frosted lens	40°
---	-----

\* Consult .ies files on our Website for more details.

SPECIFICATION SHEET

# Ardito LED - A4RSF

4" Series

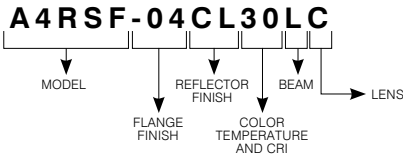
## Ultra-Thin Profile Round Regressed Shower Trim



### SPECIFICATIONS (CONT'D)

<p>FLANGE FINISHES</p> <p><i>Options in red may generate a longer production lead time</i></p>	<p>Powder coat painted or plated die formed steel.</p> <p><b>Different finishes available:</b>                  24K Gold Plated <b>(-03)</b>, Chrome <b>(-04)</b>, Brushed Chrome <b>(-04BR)</b>, Matte White <b>(-11)</b>, Brushed Nickel <b>(-12BR)</b>, <b>Satin Nickel (-13)</b>, Matte Black <b>(-22)</b> and Polar Grey <b>(-25)</b></p>
<p>REFLECTOR FINISHES</p> <p><i>Options in red may generate a longer production lead time</i></p>	<p><b>Specular</b> Clear <b>(CL)</b></p> <p><b>Painted</b>                  Matte White <b>(11)</b>                  Matte Black <b>(22)</b>                  Natural Anodized Aluminum <b>(AN)</b>                  Black <b>(BK)</b></p>
<p>FLANGELESS TRIMS (OPTION)</p>	<p>Perforated aluminum plate for flangeless product, allowing you to plaster up to the edge of the opening of the Ardito luminaire.                  Mud-in-plate sold separately.  <b>Ordering code: MIPA4R</b>                  Consult housing specification sheet for more details.</p>

### TRIM WITH FLANGE CODIFICATION EXAMPLE



*Options in red may generate a longer production lead time.*

### TRIM WITH FLANGE ORDERING CODES **A4RSF**

MODEL	FLANGE FINISHES	REFLECTOR FINISHES	COLOR TEMPERATURE AND CRI	BEAM	LENSES
<b>A4RSF</b>				<b>L</b>	
<b>A4RSF</b>	<b>-04BR</b> Brushed Chrome	<b>PAINTED</b>	<b>27</b> 2,700K (90+ CRI)	<b>L</b> Flood beam for clear and frosted lens(40°)	<b>C</b> Clear
	<b>-11</b> Matte White	<b>11</b> Matte White	<b>30</b> 3,000K (90+ CRI)		<b>F</b> Frosted
	<b>-12BR</b> Brushed Nickel	<b>22</b> Matte Black	<b>35</b> 3,500K (90+ CRI)		
	<b>-22</b> Matte Black	<b>AN</b> Natural Anodized Aluminum	<b>40</b> 4,000K (90+ CRI)		
	<b>-25</b> Polar Grey	<b>BK</b> Black			
	<b>-03</b> 24K Gold Plated				
	<b>-04</b> Chrome	<b>SPECULAR</b>			
	<b>-13</b> Satin Nickel	<b>CL</b> Clear			

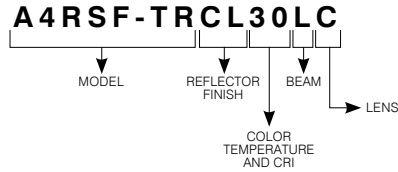
SPECIFICATION SHEET

# Ardito LED - A4RSF

4" Series

## Ultra-Thin Profile Round Regressed Shower Trim

FLANGELESS TRIM OPTION — CODIFICATION EXAMPLE



Mud-in-plate required for use of flangeless trim (see ordering code below)

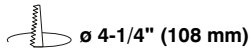
*Options in red may generate a longer production lead time.*

FLANGELESS TRIM OPTION — ORDERING CODES **A4RSF-TR**

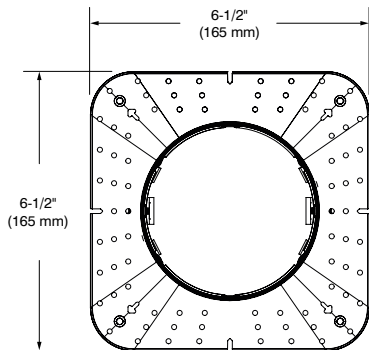
MODEL	REFLECTOR FINISHES	COLOR TEMPERATURE AND CRI	BEAM	LENSES
<b>A4RSF-TR</b>			<b>L</b>	
<b>A4RSF-TR</b>	<b>PAINTED</b>	<b>27</b> 2,700K (90+ CRI)	<b>L</b> Flood beam for clear and frosted lens (40°)	<b>C</b> Clear
	<b>11</b> Matte White	<b>30</b> 3,000K (90+ CRI)		<b>F</b> Frosted
	<b>22</b> Matte Black	<b>35</b> 3,500K (90+ CRI)		
	<b>AN</b> Natural Anodized Aluminum	<b>40</b> 4,000K (90+ CRI)		
	<b>BK</b> Black			
	<b>SPECULAR</b>			
	<b>CL</b> Clear			

### MUD-IN-PLATE

Required with the use of flangeless trims. Consult housing specification sheet for more details.



Code: MIPA4R



### ORDERING CODES for replacement lenses

For future on-site modifications of the light distribution.

**Lenses (to modify light diffusion)**

Clear (C): **104036**  
 Frosted (F): **317240**

# Ardito LED - A4RSF

4" Series

Ultra-Thin Profile Round Regressed Shower Trim

PHOTOMETRIC DATA



In order to obtain the accurate photometric data, multiply the lumens relative to your product selection by the applicable factor(s). Take note these factors also need to be implemented in the .ies files available on our website.

WITH PERFORMANCE 1 HOUSING (14W)

	Flood (40°)	
<b>2,700K with 90+ CRI</b>	1,214 lm	86.7 lm/W
<b>3,000K with 90+ CRI</b>	1,258 lm	89.9 lm/W
<b>3,500K with 90+ CRI</b>	1,319 lm	94.2 lm/W
<b>4,000K with 90+ CRI</b>	1,353 lm	96.6 lm/W

WITH PERFORMANCE 2 HOUSING (23W)

	Flood (40°)	
<b>2,700K with 90+ CRI</b>	1,812 lm	78.8 lm/W
<b>3,000K with 90+ CRI</b>	1,878 lm	81.7 lm/W
<b>3,500K with 90+ CRI</b>	1,969 lm	85.6 lm/W
<b>4,000K with 90+ CRI</b>	2,019 lm	87.8 lm/W

Lens Factors	
<b>C</b>	1
<b>F</b>	0.71

# CONTRASTE

2020-09  
Revision 2

PRINTED IN CANADA

1009, rue du Parc Industriel  
Lévis (Québec) G6Z 1C5 Canada  
Tel.: 1-888-839-4624  
Fax.: 1-877-839-7057  
contrastlighting.com  
info@contrastlighting.com

© 2020 Contrast Lighting M.L. Inc.  
All rights reserved

Contrast Lighting M.L. Inc. reserves the right to make changes in specifications and/or to discontinue any product at any time without notice or obligation and will not be liable for any consequences resulting from the use of this publication.

# Ardito LED - A4RSF

4" Series

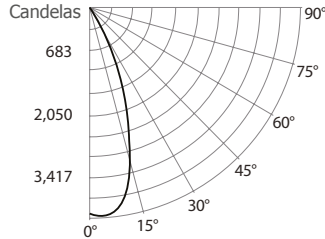
Ultra-Thin Profile Round Regressed Shower Trim

PHOTOMETRIC DATA



### 3,000K, 90+ CRI, Flood, Performance 1 — WITH CLEAR LENS

#### CANDLEPOWER DISTRIBUTION



#### LIGHT CONE

Distance	FC	DIA
06'	74.8	4.3'
08'	42.1	5.7'
10'	26.9	7.1'
12'	18.7	8.5'
14'	13.7	10.0'
16'	10.5	11.4'

Beam: 40°  
Beam Edge defined as 50% of Maximum Nadir Candle-power.

#### LUMINAIRE

Performance 1 LED	3,000K Flood
CBCP / Lumens	2,692 / 1,257.3
Watts	120V 277V 14W 14.5W
Operating AMPS	0.12A 0.052A
Lumen Maintenance	L70 @ 50,000 Hrs
CRI	90+
Lumens/Watt	89.9
Spacing Criteria	0.68

#### COEFFICIENT OF UTILIZATION - %

Ceiling Reflect %	80		50		30	
Wall Reflect %	50	30	50	30	50	30
RCR 0	119	119	111	111	106	106
2	106	103	101	99	98	96
4	96	91	93	89	91	88
6	87	82	85	81	84	80
8	80	75	78	74	78	74
10	74	69	73	69	72	68

#### Zonal Cavity Method

Effective Floor Cavity Reflectance 20%

#### ZONAL LUMEN SUMMARY

ZONE	LUMENS	%LUMINAIRE
0-30	1,170.6	93.1%
0-40	1,255.4	99.9%
0-60	1,257.3	100%
60-90	0.0	0%
0-90	1,257.3	100%

#### MULTIPLE UNIT DATA - (RCR 2)

SPACING ON CENTER	INITIAL FOOTCANDLES	WATTS/SQ. FT.
5'	62	0.58
6'	35	0.33
7'	24	0.23
8'	24	0.23
9'	16	0.15

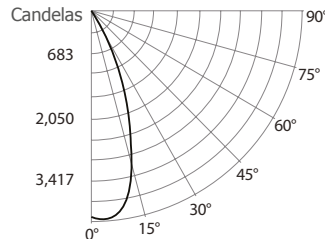
38' x 38' x 10' Room. Workplan located 2-1/2' (30").  
Reflectance factor 80%/50%/30%

#### CANDELAS DISTRIBUTION

DEGREES/VERTICAL	CANDELAS	DEGREES/VERTICAL	CANDELAS
0	2,692	40	11
5	2,715	50	0
10	2,508	60	0
15	1,952	70	0
20	1,329	80	0
25	847	90	0
30	391		

### 3,000K, 90+ CRI, Flood, Performance 2 — WITH CLEAR LENS

#### CANDLEPOWER DISTRIBUTION



#### LIGHT CONE

Distance	FC	DIA
06'	111.5	4.2'
08'	62.7	5.7'
10'	40.1	7.1'
12'	27.9	8.5'
14'	20.5	9.9'
16'	15.7	11.3'

Beam: 40°  
Beam Edge defined as 50% of Maximum Nadir Candle-power.

#### LUMINAIRE

Performance 2 LED	3,000K Flood
CBCP / Lumens	4,012 / 1,878.2
Watts	120V 277V 23W 23.5W
Operating AMPS	0.19A 0.085A
Lumen Maintenance	L70 @ 50,000 Hrs
CRI	90+
Lumens/Watt	81.7
Spacing Criteria	0.98

#### COEFFICIENT OF UTILIZATION - %

Ceiling Reflect %	80		50		30	
Wall Reflect %	50	30	50	30	50	30
RCR 0	119	119	111	111	106	106
2	106	103	101	99	98	96
4	96	91	93	89	91	88
6	87	82	85	81	84	80
8	80	75	78	74	78	74
10	74	69	73	69	72	68

#### Zonal Cavity Method

Effective Floor Cavity Reflectance 20%

#### ZONAL LUMEN SUMMARY

ZONE	LUMENS	%LUMINAIRE
0-30	1,747.1	93%
0-40	1,875.4	99.8%
0-60	1,878.2	100%
60-90	0.0	0%
0-90	1,878.2	100%

#### MULTIPLE UNIT DATA - (RCR 2)

SPACING ON CENTER	INITIAL FOOTCANDLES	WATTS/SQ. FT.
5'	93	1.01
6'	52	0.57
7'	36	0.39
8'	36	0.39
9'	23	0.25

38' x 38' x 10' Room. Workplan located 2-1/2' (30").  
Reflectance factor 80%/50%/30%

#### CANDELAS DISTRIBUTION

DEGREES/VERTICAL	CANDELAS	DEGREES/VERTICAL	CANDELAS
0	4,012	40	19
5	4,053	50	0
10	3,761	60	0
15	2,915	70	0
20	1,974	80	0
25	1,268	90	0
30	582		

SPECIFICATION SHEET

# Ardito LED - A4RSF

4" Series

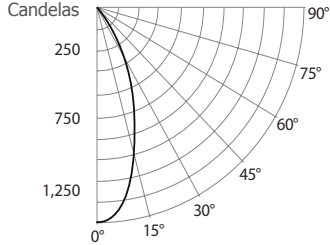
Ultra-Thin Profile Round Regressed Shower Trim

PHOTOMETRIC DATA



**3,000K, 90+ CRI, Flood, Performance 1 — WITH FROSTED LENS**

**CANDLEPOWER DISTRIBUTION**



**LIGHT CONE**

Distance	FC	DIA
06'	41.3	4.4'
08'	23.2	5.9'
10'	14.9	7.3'
12'	10.3	8.8'
14'	7.6	10.3'
16'	5.8	11.8'

**Beam: 40°**  
Beam Edge defined as 50% of Maximum Nadir Candle-power.

**LUMINAIRE**

<b>Performance 1 LED</b>	3,000K Flood	
<b>CBCP / Lumens</b>	1486 / 945,2	
<b>Watts</b>	<b>120V</b>	<b>277V</b>
	14W	14,5W
<b>Operating AMPS</b>	0,12A	0,052A
<b>Lumen Maintenance</b>	L70 @ 50000 Hrs	
<b>CRI</b>	+90	
<b>Lumens/Watt</b>	67,5	
<b>Spacing Criteria</b>	0,68	

**COEFFICIENT OF UTILIZATION - %**

Ceiling Reflect %	80		50		30		
Wall Reflect %	50	30	50	30	50	30	
<b>RCR</b>	0	119	119	111	111	106	106
	2	102	98	97	94	94	92
	4	88	83	85	80	83	79
	6	77	71	75	70	74	69
	8	69	63	67	62	66	61
	10	62	56	61	56	60	55

**Zonal Cavity Method**  
Effective Floor Cavity Reflectance 20%

**ZONAL LUMEN SUMMARY**

ZONE	LUMENS	%LUMINAIRE
0-30	645.9	68.3%
0-40	783.3	82.9%
0-60	919.3	97.3%
60-90	25.8	0.1%
0-90	945.2	100%

**MULTIPLE UNIT DATA - (RCR 2)**

SPACING ON CENTER	INITIAL FOOTCANDLES	WATTS/SQ. FT.
5'	45	0.53
6'	25	0.30
7'	18	0.21
8'	18	0.21
9'	11	0.13

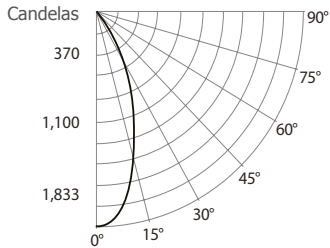
38' x 38' x 10' Room. Workplan located 2-1/2' (30").  
Reflectance factor 80%/50%/30%

**CANDELAS DISTRIBUTION**

DEGREES/ VERTICAL	CANDELAS	DEGREES/ VERTICAL	CANDELAS
0	1486	40	145
5	1427	50	81
10	1257	60	42
15	1014	70	9
20	751	80	0
25	515	90	0
30	333		

**3,000K, 90+ CRI, Flood, Performance 2 — WITH FROSTED LENS**

**CANDLEPOWER DISTRIBUTION**



**LIGHT CONE**

Distance	FC	DIA
06'	60.8	4.4'
08'	34.2	5.9'
10'	21.9	7.3'
12'	15.2	8.8'
14'	11.2	10.3'
16'	8.6	11.7'

**Beam: 40°**  
Beam Edge defined as 50% of Maximum Nadir Candle-power.

**LUMINAIRE**

<b>Performance 1 LED</b>	3,000K Flood	
<b>CBCP / Lumens</b>	2188 / 1392,3	
<b>Watts</b>	<b>120V</b>	<b>277V</b>
	23W	23,5W
<b>Operating AMPS</b>	0,19A	0,085A
<b>Lumen Maintenance</b>	L70 @ 50000 Hrs	
<b>CRI</b>	+90	
<b>Lumens/Watt</b>	60,5	
<b>Spacing Criteria</b>	0,68	

**COEFFICIENT OF UTILIZATION - %**

Ceiling Reflect %	80		50		30		
Wall Reflect %	50	30	50	30	50	30	
<b>RCR</b>	0	119	119	111	111	106	106
	2	102	98	97	94	94	91
	4	88	83	85	80	83	79
	6	77	71	75	70	74	69
	8	69	63	67	62	66	61
	10	62	56	61	56	60	55

**Zonal Cavity Method**  
Effective Floor Cavity Reflectance 20%

**ZONAL LUMEN SUMMARY**

ZONE	LUMENS	%LUMINAIRE
0-30	950.8	68.3%
0-40	1153.5	82.9%
0-60	1354	97.2%
60-90	38.3	2.8%
0-90	1392.3	100%

**MULTIPLE UNIT DATA - (RCR 2)**

SPACING ON CENTER	INITIAL FOOTCANDLES	WATTS/SQ. FT.
5'	66	0.53
6'	37	0.30
7'	26	0.21
8'	26	0.21
9'	17	0.13

38' x 38' x 10' Room. Workplan located 2-1/2' (30").  
Reflectance factor 80%/50%/30%

**CANDELAS DISTRIBUTION**

DEGREES/ VERTICAL	CANDELAS	DEGREES/ VERTICAL	CANDELAS
0	2188	40	214
5	2100	50	119
10	1850	60	61
15	1493	70	13
20	1106	80	0
25	758	90	0
30	491		