

SPECIFICATION SHEET

# Ardito LED - A4RWW

## 4" Series

### Ultra-Thin Profile Round Wall Wash Trim

Project \_\_\_\_\_

Notes \_\_\_\_\_

Fixture Type \_\_\_\_\_

Date \_\_\_\_\_



**WITH FLANGE**

A4RWW-2222 - XXX (illustrated)



**FLANGELESS TRIM**

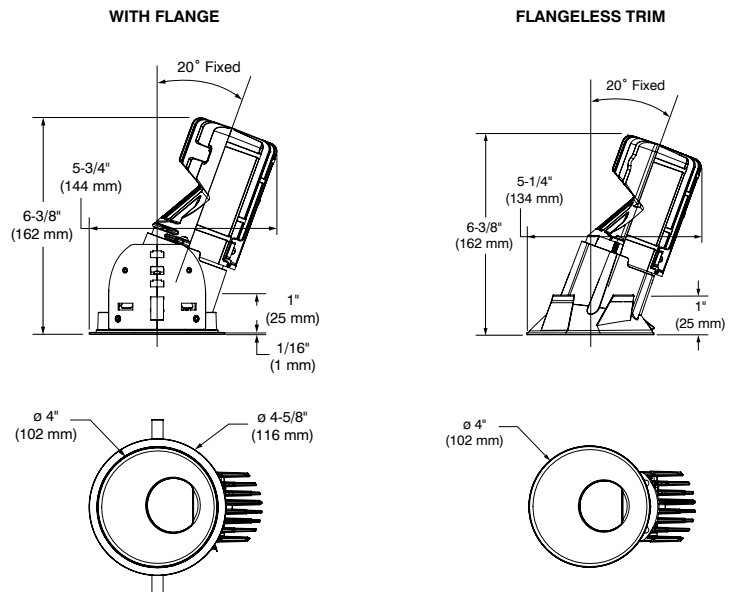
A4RWW-TR22 - XXX (illustrated)

Aluminum Round, 4" high efficiency wall wash dimmable LED. May be installed with a low profile ultra-thin flange or flangeless trim in configuration for insulated, non-insulated and remodel (non-IC) ceilings.



## SPECIFICATIONS

|                       |  |
|-----------------------|--|
| <b>TRIM DETAILS</b>   | <p>Requires a 6-1/2" (165 mm) clearance beyond the ceiling level for standard using and 7" (178 mm) for Lumenetix option using.</p> <p>Perfect fit into ceiling</p> <p>Each part of the housing should be at LEAST 3" (76 mm) from insulation (non-IC configurations)</p> <p>Can fit in ceilings up to 1-1/2" (38 mm) thick</p> <p>Junction box is accessible from below the ceiling for ease of maintenance</p> |
| <b>HEAT SINK</b>      | <p>High quality injection molded aluminum heat sink ensuring maximum heat dissipation for optimal performance.</p>   |
| <b>CEILING CUTOUT</b> | <p><b>ø 4-1/4" (108 mm)</b></p>  |
| <b>CERTIFICATION</b>  | <ul style="list-style-type: none"> <li>cULus <b>E343977</b> for damp locations</li> <li>Certified Air Tight ASTM E283</li> </ul>   |
| <b>WARRANTY</b>       | <p>1 year on components against manufacturing defects</p> <p>5 years on LED arrays and drivers</p>   |





## SPECIFICATION SHEET

**Ardito LED - A4RWW**

4" Series

**Ultra-Thin Profile Round Wall Wash Trim**

## SPECIFICATIONS (CONT'D)

## COMPATIBLE HOUSINGS

|                            | Remodel Housing | New Construction Housing | Insulated Housing | Insulated Air Tight Housing (Title 24) | Ceiling thickness suggested for insulated housing as a using standard and Lumenetix option    |
|----------------------------|-----------------|--------------------------|-------------------|--|---|
| <b>Performance 1 (14W)</b> | REA4V1          | NWA4RV1                  | *ISA4RV1          | *ICAT6R4-ARV1                          | * Ceiling thickness must be at least 1/2" (13 mm) for insulated housing as a using standard.  |
| <b>Performance 2 (23W)</b> | REA4V2          | NWA4RV2                  | *ISA4RV2          | *ICAT6R4-ARV2                          |   |
| <b>Lumenetix (12.5W)</b>   | REA4VL          | NWA4RVL                  | **ISA4RVL         |  | ** Ceiling thickness must be at least 1" (25 mm) for insulated housing with Lumenetix option. |

For dimming, please visit our Web site frequently to find our suggested compatible dimmers: [www.contrastlighting.com](http://www.contrastlighting.com)

## OPTIC SYSTEM

**Choice of available lense:****Frosted/Frosted (F)****Standard**

|           |     |
|-----------|-----|
| Flood (L) | 54° |
|-----------|-----|

\* Average beam shown. Consult .ies files on our Website for more details.

## FLANGE FINISHES

Powder coat painted or plated die formed steel.

*Options in red may generate a longer production lead time*

**Different finishes available:**

24K Gold Plated (-03), Chrome (-04), Brushed Chrome (-04BR), Matte White (-11), Brushed Nickel (-12BR), Satin Nickel (-13), Matte Black (-22) and Polar Grey (-25)

## REFLECTOR FINISHES

**Painted**

Matte White (11)  
\*Matte black (22)

**Natural Anodized Aluminum (AN)**

\* **Recommended for optimum Wall Wash result**

## FLANGELESS TRIMS

Perforated aluminum plate for borderless product, allowing you to plaster up to the edge of the opening of the Ardito luminaire.

Mud-in-plate sold separately.

**Ordering code: MIPA4R**

Consult housing specification sheet for more details.

**CONTRASTE**2020-09  
Revision 2

PRINTED IN CANADA

1009, rue du Parc Industriel  
Lévis (Québec) G6Z 1C5 Canada  
Tel.: 1-888-839-4624  
Fax.: 1-877-839-7057  
[contrastlighting.com](http://contrastlighting.com)  
[info@contrastlighting.com](mailto:info@contrastlighting.com)

© 2020 Contrast Lighting M.L. Inc.  
All rights reserved

Contrast Lighting M.L. Inc. reserves the right to make changes in specifications and/or to discontinue any product at any time without notice or obligation and will not be liable for any consequences resulting from the use of this publication.

SPECIFICATION SHEET

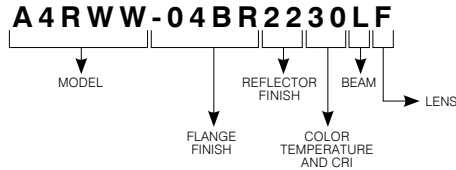
# Ardito LED - A4RWW

## 4" Series

### Ultra-Thin Profile Round Wall Wash Trim



TRIM WITH FLANGE CODIFICATION EXAMPLE

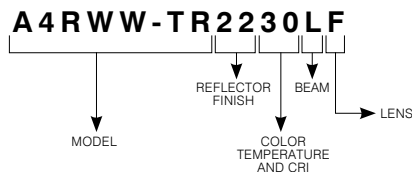


*Options in red may generate a longer production lead time.*

TRIM WITH FLANGE ORDERING CODES **A4RWW**

| MODEL        | FLANGE FINISHES             | REFLECTOR FINISHES                           | COLOR TEMPERATURES AND CRI           | BEAM                 | LENS                     |
|--------------|-----------------------------|--|--------------------------------------|----------------------|--------------------------|
| <b>A4RWW</b> |                             |  |                                      | <b>L</b>             | <b>F</b>                 |
| <b>A4RWW</b> | <b>-04BR</b> Brushed Chrome | <b>PAINTED</b>                               | <b>27</b> 2,700K (90+ CRI)           | <b>L</b> Flood (54°) | <b>F</b> Frosted/Frosted |
|              | <b>-11</b> Matte White      | <b>11</b> Matte White                        | <b>30</b> 3,000K (90+ CRI)           |                      |                          |
|              | <b>-12BR</b> Brushed Nickel | <b>22*</b> Matte Black                       | <b>35</b> 3,500K (90+ CRI)           |                      |                          |
|              | <b>-22</b> Matte Black      | <b>AN</b> Natural Anodized Aluminum          | <b>40</b> 4,000K (90+ CRI)           |                      |                          |
|              | <b>-25</b> Polar Grey       | *(Recommended for optimum Wall Wash results) | <b>CT</b> 1,650K to 4,000K (90+ CRI) |                      |                          |
|              | <b>-03</b> 24K Gold Plated  |  | <b>WD</b> 3,050K to 1,800K (90+ CRI) |                      |                          |
|              | <b>-04</b> Chrome           |  |                                      |                      |                          |
|              | <b>-13</b> Satin Nickel     |  |                                      |                      |                          |

FLANGELESS TRIM CODIFICATION EXAMPLE



Mud-in-plate required for use of flangeless trim (see ordering code below)

*Options in red may generate a longer production lead time.*

FLANGELESS TRIM ORDERING CODES **A4RWW-TR**

| MODEL           | REFLECTOR FINISHES                           | COLOR TEMPERATURES AND CRI           | BEAM                 | LENS                     |
|-----------------|--|--------------------------------------|----------------------|--------------------------|
| <b>A4RWW-TR</b> |  |                                      | <b>L</b>             | <b>F</b>                 |
| <b>A4RWW-TR</b> | <b>PAINTED</b>                               | <b>27</b> 2,700K (90+ CRI)           | <b>L</b> Flood (54°) | <b>F</b> Frosted/Frosted |
|                 | <b>11</b> Matte White                        | <b>30</b> 3,000K (90+ CRI)           |                      |                          |
|                 | <b>22*</b> Matte Black                       | <b>35</b> 3,500K (90+ CRI)           |                      |                          |
|                 | <b>AN</b> Natural Anodized Aluminum          | <b>40</b> 4,000K (90+ CRI)           |                      |                          |
|                 | *(Recommended for optimum Wall Wash results) | <b>CT</b> 1,650K to 4,000K (90+ CRI) |                      |                          |
|                 |  | <b>WD</b> 3,050K to 1,800K (90+ CRI) |                      |                          |

# Ardito LED - A4RWW

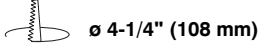
4" Series

## Ultra-Thin Profile Round Wall Wash Trim

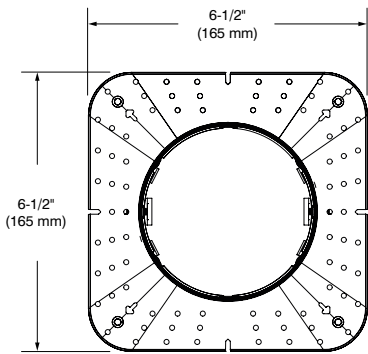


### MUD-IN-PLATE

Required with the use of flangeless trims.  
Consult housing specification sheet for more details.



Code: MIPA4R



### ORDERING CODES for replacement lenses

Frosted/ Frosted (F): **317285**

# Ardito LED - A4RWW

**4" Series****Ultra-Thin Profile Round Wall Wash Trim**

PHOTOMETRIC DATA



In order to obtain the accurate photometric data, multiply the lumens relative to your product selection by the applicable factor(s). Take note these factors also need to be implemented in the .ies files available on our website.

WITH PERFORMANCE 1 HOUSING (14W)

|                            | Flood (54°) |           |
|----------------------------|-------------|-----------|
| <b>2,700K with 90+ CRI</b> | 455 lm      | 32.5 lm/W |
| <b>3,000K with 90+ CRI</b> | 471 lm      | 33.6 lm/W |
| <b>3,500K with 90+ CRI</b> | 493 lm      | 35.2 lm/W |
| <b>4,000K with 90+ CRI</b> | 506 lm      | 36.1 lm/W |

WITH PERFORMANCE 2 HOUSING (23W)

|                            | Flood (54°) |           |
|----------------------------|-------------|-----------|
| <b>2,700K with 90+ CRI</b> | 648 lm      | 28.2 lm/W |
| <b>3,000K with 90+ CRI</b> | 671 lm      | 29.2 lm/W |
| <b>3,500K with 90+ CRI</b> | 701 lm      | 30.5 lm/W |
| <b>4,000K with 90+ CRI</b> | 719 lm      | 31.3 lm/W |

WITH PERFORMANCE L HOUSING (12.5W)

|                                       | Flood (54°) |           |
|---------------------------------------|-------------|-----------|
| <b>Warm Dimming (WD) with 90+ CRI</b> | 234 lm      | 18.7 lm/W |
| <b>Color Tuning (CT) with 90+ CRI</b> | 245 lm      | 19.6 lm/W |

# CONTRASTE

2020-09  
Revision 2

PRINTED IN CANADA

1009, rue du Parc Industriel  
Lévis (Québec) G6Z 1C5 Canada  
Tel.: 1-888-839-4624  
Fax.: 1-877-839-7057  
contrastlighting.com  
info@contrastlighting.com

© 2020 Contrast Lighting M.L. Inc.  
All rights reserved

Contrast Lighting M.L. Inc. reserves the right to make changes in specifications and/or to discontinue any product at any time without notice or obligation and will not be liable for any consequences resulting from the use of this publication.

# Ardito LED - A4RWW

4" Series

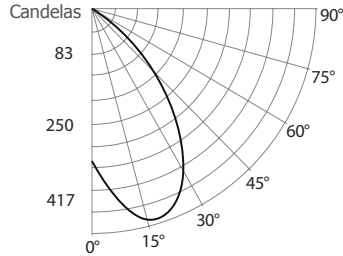
Ultra-Thin Profile Round Wall Wash Trim

PHOTOMETRIC DATA



**3,000K, 90+ CRI, Flood, Performance 1**

**CANDLEPOWER DISTRIBUTION**



**LIGHT CONE**

| Distance | FC   | DIA   |
|----------|------|-------|
| 04'      | 21.5 | 4.0'  |
| 08'      | 5.4  | 8.1'  |
| 12'      | 2.4  | 12.1' |
| 16'      | 1.3  | 16.2' |

**Beam: 54°**  
Beam Edge defined as 50% of Maximum Nadir Candle-power.

**LUMINAIRE**

|                          |                  |             |
|--------------------------|------------------|-------------|
| <b>Performance 1 LED</b> | 3,000K Flood     |             |
| <b>CBCP / Lumens</b>     | 343              | / 442.8     |
| <b>Watts</b>             | <b>120V</b>      | <b>277V</b> |
|                          | 14W              | 14.5W       |
| <b>Operating AMPS</b>    | 0.12A            | 0,052A      |
| <b>Lumen Maintenance</b> | L70 @ 50,000 Hrs |             |
| <b>CRI</b>               | 90+              |             |
| <b>Lumens/Watt</b>       | 31.6             |             |
| <b>Spacing Criteria</b>  | 0,91             |             |

**COEFFICIENT OF UTILIZATION - %**

| Ceiling Reflect % | 80 |     | 50  |     | 30  |     |     |
|-------------------|----|-----|-----|-----|-----|-----|-----|
| Wall Reflect %    | 50 | 30  | 50  | 30  | 50  | 30  |     |
| <b>RCR</b>        | 0  | 112 | 112 | 105 | 105 | 100 | 100 |
|                   | 2  | 94  | 90  | 89  | 86  | 86  | 84  |
|                   | 4  | 79  | 73  | 76  | 71  | 74  | 70  |
|                   | 6  | 67  | 61  | 65  | 59  | 63  | 59  |
|                   | 8  | 58  | 51  | 56  | 51  | 55  | 50  |
|                   | 10 | 50  | 44  | 49  | 44  | 48  | 43  |

Zonal Cavity Method  
Effective Floor Cavity Reflectance 20%

**ZONAL LUMEN SUMMARY**

| ZONE  | LUMENS | %LUMINAIRE |
|-------|--------|------------|
| 0-30  | 230.1  | 52%        |
| 0-40  | 333.2  | 75.2%      |
| 0-60  | 434.8  | 98.2%      |
| 60-90 | 8.0    | 1.8%       |
| 0-180 | 442.8  | 100%       |

**CANDELAS DISTRIBUTION**

| DEGREES/ VERTICAL | CANDELAS | DEGREES/ VERTICAL | CANDELAS |
|-------------------|----------|-------------------|----------|
| 0                 | 343      | 40                | 278      |
| 5                 | 404      | 50                | 125      |
| 10                | 458      | 60                | 46       |
| 15                | 487      | 70                | 3        |
| 20                | 486      | 80                | 0        |
| 25                | 461      | 90                | 0        |
| 30                | 413      |                   |          |

**Footcandles On Wall - Performance 1**

| Distance from ceiling (Foot) | 18" from wall 2' on center |    |    |
|------------------------------|----------------------------|----|----|
|                              |                            |    |    |
| 0,5                          | 0                          | 0  | 0  |
| 1                            | 7                          | 7  | 7  |
| 1,5                          | 26                         | 26 | 26 |
| 2                            | 36                         | 36 | 36 |
| 2,5                          | 36                         | 36 | 36 |
| 3                            | 31                         | 31 | 31 |
| 4                            | 21                         | 21 | 21 |
| 5                            | 14                         | 14 | 14 |
| 6                            | 10                         | 10 | 10 |
| 7                            | 7                          | 7  | 7  |
| 8                            | 5                          | 5  | 5  |
| 9                            | 4                          | 4  | 4  |
| 10                           | 3                          | 3  | 3  |

Note: Footcandles Data

# Ardito LED - A4RWW

4" Series

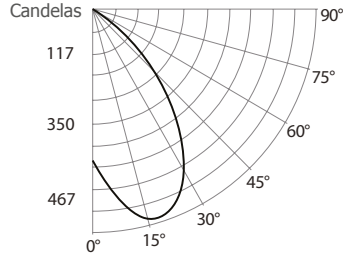
Ultra-Thin Profile Round Wall Wash Trim

PHOTOMETRIC DATA



**3,000K, 90+ CRI, Flood, Performance 2**

**CANDLEPOWER DISTRIBUTION**



**LIGHT CONE**

| Distance | FC   | DIA   |
|----------|------|-------|
| 04'      | 29.4 | 4.10' |
| 08'      | 7.4  | 8.2'  |
| 12'      | 3.3  | 12.3' |
| 16'      | 1.8  | 16.3' |

**Beam: 54"**  
Beam Edge defined as 50% of Maximum Nadir Candle-power.

**LUMINAIRE**

|                          |                  |             |
|--------------------------|------------------|-------------|
| <b>Performance 2 LED</b> | 3,000K Flood     |             |
| <b>CBCP / Lumens</b>     | 471              | / 629.9     |
| <b>Watts</b>             | <b>120V</b>      | <b>277V</b> |
|                          | 23W              | 23,5W       |
| <b>Operating AMPS</b>    | 0.19A            | 0.085A      |
| <b>Lumen Maintenance</b> | L70 @ 50,000 Hrs |             |
| <b>CRI</b>               | 90+              |             |
| <b>Lumens/Watt</b>       | 27.4             |             |
| <b>Spacing Criteria</b>  | 0.91             |             |

**COEFFICIENT OF UTILIZATION - %**

| Ceiling Reflect % | 80 |     | 50  |     | 30  |     |     |
|-------------------|----|-----|-----|-----|-----|-----|-----|
| Wall Reflect %    | 50 | 30  | 50  | 30  | 50  | 30  |     |
| <b>RCR</b>        | 0  | 112 | 112 | 104 | 104 | 100 | 100 |
|                   | 2  | 94  | 89  | 89  | 86  | 86  | 83  |
|                   | 4  | 79  | 72  | 75  | 70  | 73  | 69  |
|                   | 6  | 67  | 60  | 64  | 59  | 63  | 58  |
|                   | 8  | 57  | 51  | 55  | 50  | 54  | 49  |
|                   | 10 | 50  | 44  | 49  | 43  | 48  | 43  |

Zonal Cavity Method  
Effective Floor Cavity Reflectance 20%

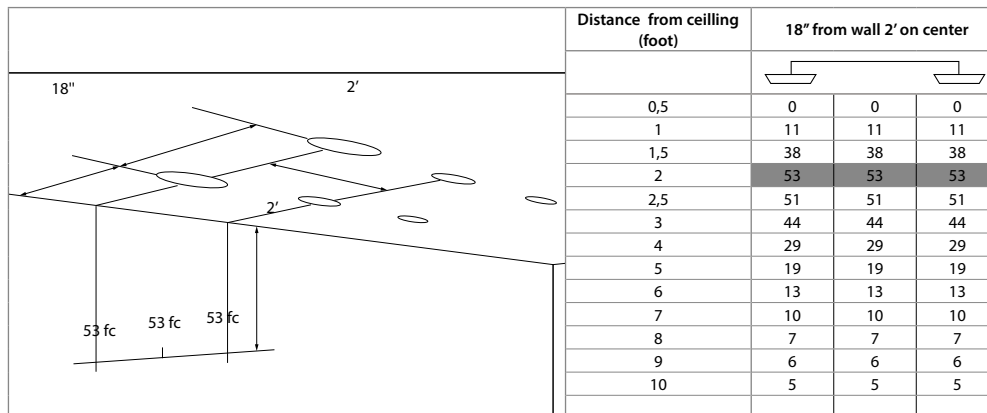
**ZONAL LUMEN SUMMARY**

| ZONE  | LUMENS | %LUMINAIRE |
|-------|--------|------------|
| 0-30  | 319.9  | 50.8%      |
| 0-40  | 468    | 74.3%      |
| 0-60  | 618.1  | 98.1%      |
| 60-90 | 11.8   | 1.9%       |
| 0-90  | 629.9  | 100%       |

**CANDELAS DISTRIBUTION**

| DEGREES/ VERTICAL | CANDELAS | DEGREES/ VERTICAL | CANDELAS |
|-------------------|----------|-------------------|----------|
| 0                 | 471      | 40                | 398      |
| 5                 | 555      | 50                | 188      |
| 10                | 633      | 60                | 68       |
| 15                | 679      | 70                | 3        |
| 20                | 683      | 80                | 0        |
| 25                | 651      | 90                | 0        |
| 30                | 584      |                   |          |

**Footcandles On Wall - Performance 2**



Note: Footcandles Data