

# Brigit

## Oversized Lampshade with Adjustable Suspension System

**ARKOS LIGHT** BY/PAR **CONTRASTE**

Project \_\_\_\_\_

Notes \_\_\_\_\_

Fixture Type \_\_\_\_\_

Date \_\_\_\_\_



BRIGIT-R (Illustrated)



BRIGIT-W (Illustrated)



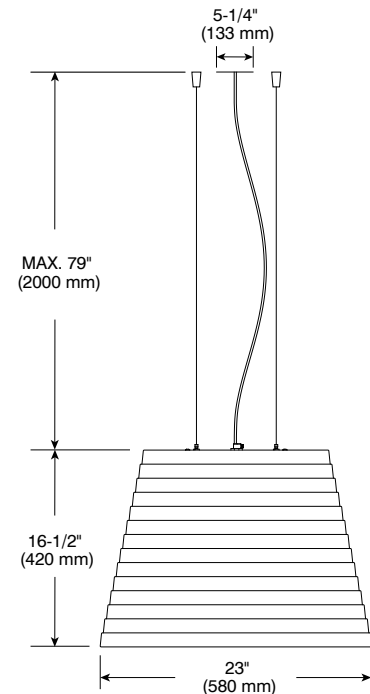
BRIGIT-O (Illustrated)

### Only available in the Americas.

Brigit is a luminaire with a distinct and unique personality. Its particular design and its different color options give this fixture an impressive elegance. Furthermore, Brigit achieves the balance between task lighting and ambient side lighting to give an ideal atmosphere.

## SPECIFICATIONS

COLOR TEMPERATURE	3,000K
CRI	90 +
PERFORMANCE	34W <b>Red:</b> 1,440 lumens <b>Orange:</b> 2,010 lumens <b>White:</b> 4,215 lumens ies file available on <a href="http://www.contrastlighting.com">www.contrastlighting.com</a>
CANOPY	Matte White
LAMPSHADE MATERIAL	PE (Polyethylene)
LENS MATERIAL	PC (Polycarbonate)
MOUNTING	This canopy adapts to 4" (102 mm) junction box
CABLE	Cable offered in 79" (2 000 mm) standard size Red fabric cable included
VOLTAGE	120V-277V Line voltage
DIMMING	ELV, 0-10V We invite you to consult frequently our Web site to find our suggested compatible dimmers (ELV) list: <a href="http://www.contrastlighting.com">www.contrastlighting.com</a>
PROTECTION STANDARD	IP44
CERTIFICATION	cULus <b>E357146</b> Certification for damp locations
WARRANTY	2 years



# CONTRASTE

1009, rue du Parc Industriel  
Lévis (Québec) G6Z 1C5 Canada  
Tel.: 1-888-839-4624  
Fax.: 1-877-839-7057  
[contrastlighting.com](http://contrastlighting.com)  
[info@contrastlighting.com](mailto:info@contrastlighting.com)

© 2017 Contrast Lighting M.L. Inc.  
All rights reserved

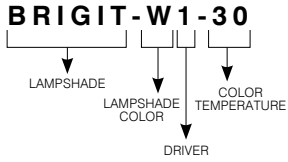
Contrast Lighting M.L. Inc. reserves the right to make changes in specifications and/or to discontinue any product at any time without notice or obligation and will not be liable for any consequences resulting from the use of this publication.

# Brigit

## Oversized Lampshade with Adjustable Suspension System



### BRIGIT CODIFICATION EXAMPLE



### ORDERING CODE for Brigit

LAMP SHADE	LAMP SHADE COLOR	DRIVER	COLOR TEMPERATURE
<b>BRIGIT</b>	-		<b>30</b>
<b>BRIGIT</b>	<b>W</b> White <b>R</b> Red <b>O</b> Orange	<b>1</b> ELV <b>2</b> 0-10V	<b>30</b> 3 000K

**Note:** Clear powering cable for 0-10V dimming option.