

CA2000-LED

4" 2000 Series - Evolution LED

IC Air Tight Remodel Housing for PAR16 LED and PAR20 LED Lamp

Project	
Notes	
Fixture Type	
Date	

SPECIFICATIONS

HOUSING DETAILS 18 gauge 0.051" (1.3 mm) thickness galvanized steel.
 Approved for use in insulated ceilings in direct contact with the insulation material (except polyurethane).
 Air Tight.
 Flexible channel wire bracket made of 20 gauge steel, bending up to 45° vertically for ease of installation in confined spaces.
 Junction box can support up to 10 – 14 gauge wires or 8 – 12 gauge wires.
 Below-ceiling accessible.
 Removable socket enabling use of PAR16 LED or PAR20 LED into adjustable trims. (See installation instructions for more details)

MOUNTING **Cutout diameter: Ø 4-1/4" (108 mm)**
 Can fit in ceilings up to 7/8" (22 mm) thick.
 Requires a 7" (178 mm) clearance beyond the ceiling level.
 Hook for ease of installation and a perfect fit to ceiling.
 No light leakage.

LAMP **PAR16 LED 8W MAX** **PAR20 LED 10W MAX**
 This product was designed for PAR16 or PAR20 LED lamp. If you want to use a dimmer, please refer regularly to the lamp manufacturer dimmer compatibility list.

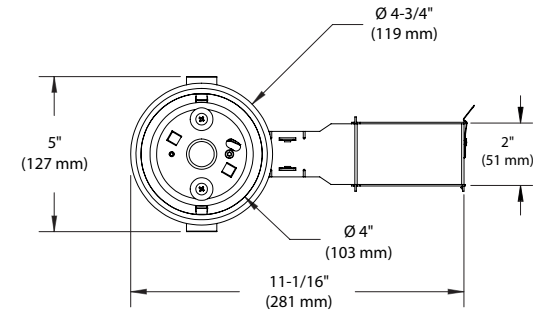
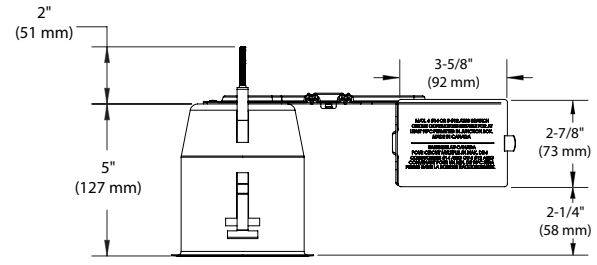
VOLTAGE 120 Volts

COMPATIBLE TRIMS	PAR16 LED		PAR20 LED	
	R2000	R2450VT	A2000	A2450S
R2000DG	S2000	A2000V	A2450VT	
R2000V	S2100	A2000VL	A2451S	
R2051	T2000	A2100	D2000	
R2100		A2400S	D2100	
R2100VT		A2401S		

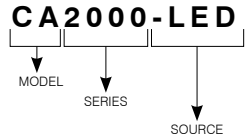
THERMAL PROTECTION TC 212°F (100°C)

CERTIFICATION • cULus **E343977** for damp locations
 • Certified Air Tight ASTM E283

WARRANTY 5 years on socket and 1 year on other components.



CODIFICATION EXAMPLE



ORDERING CODE

MODEL	SERIES	SOURCE
CA	2000	-LED
CA Remodel	2000 4" Series	-LED PAR16 LED Lamp or PAR20 LED Lamp



CONTRASTE

1009, rue du Parc Industriel
 Lévis (Québec) G6Z 1C5 Canada

© 2016 Contrast Lighting M.L. Inc.
 All rights reserved

Tel. : 1-888-839-4624
 Fax. : 1-877-839-7057
 info@contrastlighting.com

Contrast Lighting reserves the right to make changes in specifications and/or to discontinue any product at any time without notice or obligation and will not be liable for any consequences resulting from the use of this publication.