



**LED Adjustable Downlight**  
4 inches  
**CIRG40**

Project \_\_\_\_\_

Notes \_\_\_\_\_

Fixture Type \_\_\_\_\_

Date \_\_\_\_\_



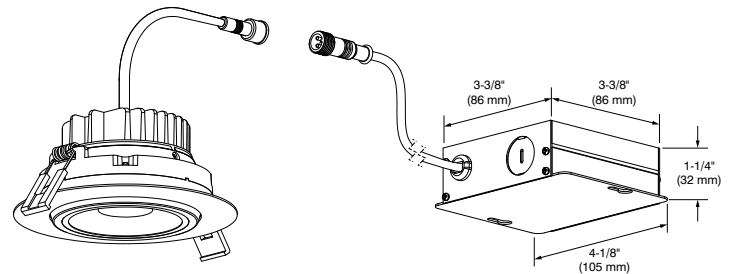
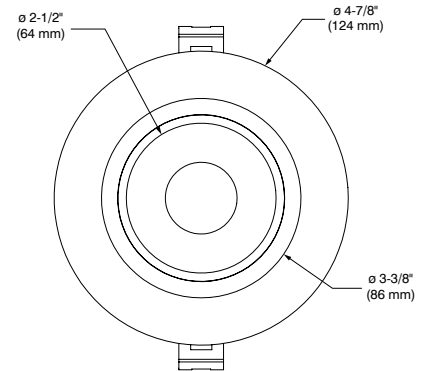
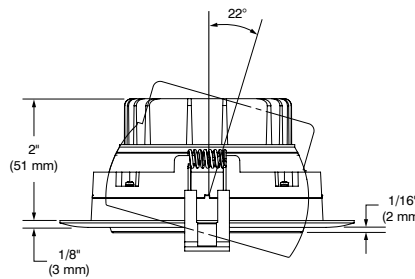
CIRG40-11xx (illustrated)

Recessed compact LED trim for insulated ceiling and suitable for wet locations. The slim profile with spring clips allows for quick and easy installation. Ideal for shallow spaces.



**SPECIFICATIONS**

|                    |  |
|--------------------|--|
| COLOR TEMPERATURES | 3,000K and 4,000K  |
| CRI                | 90+  |
| VOLTAGE            | 120 VAC  |
| POWER              | 11 Watts   |
| POWER FACTOR       | >90%   |
| LUMEN OUTPUT       | 3,000K: 1,000 lumens, 91 lm/W<br>4,000K: 1,100 lumens, 100 lm/W                        |
| LIFESPAN           | L70 @ 50,000 hours   |
| TRIM               | Thin profile 2" (51 mm)<br>22° Adjustable<br>Durable diecast aluminum body             |
| HEAT SINK          | High-quality aluminum alloy ensuring maximum heat dissipation for optimal performance. |
| BEAM               | Flood → 40°  |
| WIRE TYPE          | 18" FT6 plenum rated with twist-and-lock connector                                     |



SPECIFICATION SHEET



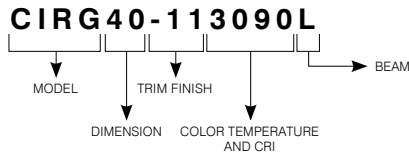
**LED Adjustable Downlight**  
4 inches  
**CIRG40**



SPECIFICATIONS (CONT)

|                |   |
|----------------|---|
| MOUNTING       | The space required beyond ceiling material is 4-1/2" (114 mm).<br>The maximal thickness of the ceiling is 1-1/2" (38 mm). Beyond this thickness, springs will apply less pressure between the trim and the ceiling. The base of the trim will thus have some difficulty to sit flush with the ceiling.  |
| CEILING CUTOUT | <b>ø 4-1/4" (108 mm)</b><br>MIN ø 4-1/4" (108 mm) / MAX ø 4-3/4" (120 mm)   |
| JUNCTION BOX   | Junction box with independent auxiliary connection and keyholes for fixing to the structure. Includes class II electronic LED driver.   |
| DIMMING        | Compatible with most Electronic Low Voltage (ELV) and Incandescent (TRIAC) dimmers.   |
| ACCESSORIES    | <ul style="list-style-type: none"> <li>• Mounting Plates (see ordering code)</li> <li>• Goof Rings (see ordering code)</li> <li>• Extension of 6 and 20 feet (see ordering code)</li> </ul>   |
| CERTIFICATION  | <ul style="list-style-type: none"> <li>• Certified ETL for wet locations and insulated ceilings (type IC)</li> <li>• Certified Energy Star</li> <li>• Plenum rated (FT6)</li> <li>• Certified under California Energy Commission according to reference joint Appendix 8 (JA8-2016)</li> <li>• CALIFORNIE TITLE 24 (JA8-2016)</li> <li>• Air Tight tested in accordance with ASTM E283</li> </ul> |
| WARRANTY       | 5-year warranty   |

CODIFICATION EXAMPLE



ORDERING CODES

| MODEL       | DIMENSION          | TRIM FINISHES           | COLOR TEMPERATURE AND CRI              | BEAM                 |
|-------------|--------------------|-------------------------|--|----------------------|
| <b>CIRG</b> | <b>40</b>          |                         |  | <b>L</b>             |
| <b>CIRG</b> | <b>40</b> 4 inches | <b>-11</b> Matte White  | <b>3090</b> 3,000K (90+ CRI) — 1000 lm | <b>L</b> Flood (40°) |
|             |                    | <b>-13</b> Satin Nickel | <b>4090</b> 4,000K (90+ CRI) — 1100 lm |                      |
|             |                    | <b>-22</b> Matte Black  |  |                      |



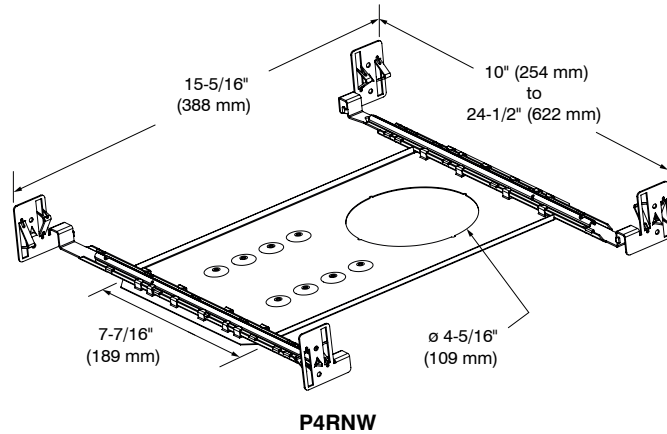
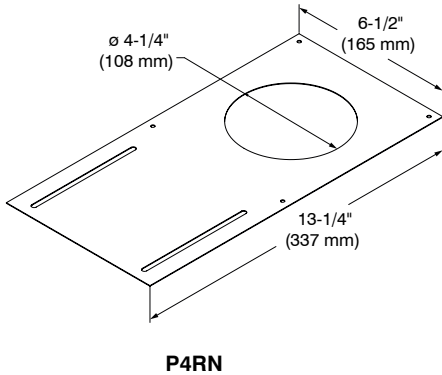
**LED Adjustable Downlight**  
4 inches  
**CIRG40**



**ACCESSORIES**

**MOUNTING PLATES**

**Code: P4RN** (without bars)  
**P4RNW** (with bars)



**GOOF RINGS**

**Code: RR4-11** (Matte White)  
**RR4-13** (Satin Nickel)  
**RR4-22** (Matte Black)

Outside diameter:  $\varnothing$  6-1/8" (156 mm)  
Inside diameter:  $\varnothing$  4-1/4" (108 mm)

**EXTENSIONS**

**Code: CBL06-FT6-2TL** (6 feet)  
**CBL20-FT6-2TL** (20 feet)



# LED Adjustable Downlight

## 4 inches

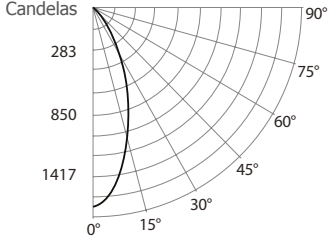
# CIRG40

## PHOTOMETRIC DATA



### 3000K, 90+ CRI, Flood Beam

#### CANDLEPOWER DISTRIBUTION



#### LIGHT CONE

| Distance | FC    | DIA   |
|----------|-------|-------|
| 06'      | 44.65 | 4.6'  |
| 08'      | 25.11 | 6.2'  |
| 10'      | 16.07 | 7.7'  |
| 12'      | 11.16 | 9.3'  |
| 14'      | 8.20  | 10.8' |
| 16'      | 6.28  | 12.4' |

Beam: 42.3°  
Beam Edge defined as 50% of Maximum Nadir Candle-Power

#### LUMINAIRE

|                   |                  |
|-------------------|------------------|
| LED               | 3000K Flood Beam |
| CBCP / Lumens     | 1607 / 997.2     |
| Watts             | 120V<br>11.3W    |
| Operating AMPS    | 0.09A            |
| Lumen Maintenance | L70 @ 50,000 Hrs |
| CRI               | 90+              |
| Lumens/Watt       | 88.2             |
| Spacing Criteria  | 0.72             |

#### COEFFICIENT OF UTILIZATION - %

| Ceiling Reflect % | 80 | 50  | 30  | 50  | 30  | 50  | 30  |
|-------------------|----|-----|-----|-----|-----|-----|-----|
| Wall Reflect %    | 50 | 30  | 50  | 30  | 50  | 30  | 50  |
| RCR               | 0  | 119 | 119 | 111 | 111 | 106 | 106 |
|                   | 2  | 102 | 98  | 98  | 94  | 95  | 92  |
|                   | 4  | 89  | 84  | 86  | 82  | 84  | 80  |
|                   | 6  | 79  | 73  | 77  | 72  | 75  | 71  |
|                   | 8  | 70  | 64  | 69  | 64  | 68  | 63  |
|                   | 10 | 63  | 58  | 62  | 57  | 61  | 57  |

Zonal Cavity Method  
Effective Floor Cavity Reflectance 20%

#### ZONAL LUMEN SUMMARY

| ZONE  | LUMENS | %LUMINAIRE |
|-------|--------|------------|
| 0-30  | 725.0  | 72.7%      |
| 0-40  | 871.7  | 87.4%      |
| 0-60  | 968.0  | 97.1%      |
| 60-90 | 29.2   | 2.9%       |
| 0-90  | 997.2  | 100%       |

#### MULTIPLE UNIT DATA - (RCR 2)

| SPACING ON CENTER | INITIAL FOOTCANDLES | WATTS/ SQ. FT. |
|-------------------|---------------------|----------------|
| 5'                | 48                  | 0.50           |
| 6'                | 27                  | 0.28           |
| 7'                | 19                  | 0.20           |
| 8'                | 19                  | 0.20           |
| 9'                | 12                  | 0.13           |

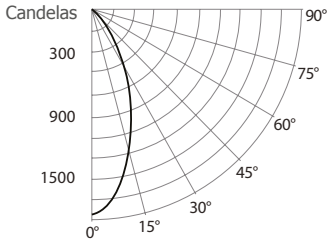
38' x 38' x 10' Room. Workplan located 2-1/2' (30").  
Reflectance factor 80%/50%/30%

#### CANDELAS DISTRIBUTION

| DEGREES/ VERTICAL | CANDELAS | DEGREES/ VERTICAL | CANDELAS |
|-------------------|----------|-------------------|----------|
| 0                 | 1607     | 40                | 120      |
| 5                 | 1523     | 50                | 55       |
| 10                | 1312     | 60                | 26       |
| 15                | 1072     | 70                | 14       |
| 20                | 852      | 80                | 3        |
| 25                | 640      | 90                | 0        |
| 30                | 417      |                   |          |

### 4000K, 90+ CRI, Flood Beam

#### CANDLEPOWER DISTRIBUTION



#### LIGHT CONE

| Distance | FC    | DIA   |
|----------|-------|-------|
| 06'      | 48.48 | 4.6'  |
| 08'      | 27.27 | 6.2'  |
| 10'      | 17.45 | 7.7'  |
| 12'      | 12.12 | 9.3'  |
| 14'      | 8.90  | 10.8' |
| 16'      | 6.82  | 12.4' |

Beam: 42.3°  
Beam Edge defined as 50% of Maximum Nadir Candle-Power

#### LUMINAIRE

|                   |                  |
|-------------------|------------------|
| LED               | 4000K Flood Beam |
| CBCP / Lumens     | 1745 / 1082.7    |
| Watts             | 120V<br>11.3W    |
| Operating AMPS    | 0.09A            |
| Lumen Maintenance | L70 @ 50,000 Hrs |
| CRI               | 90+              |
| Lumens/Watt       | 95.8             |
| Spacing Criteria  | 0.72             |

#### COEFFICIENT OF UTILIZATION - %

| Ceiling Reflect % | 80 | 50  | 30  | 50  | 30  | 50  | 30  |
|-------------------|----|-----|-----|-----|-----|-----|-----|
| Wall Reflect %    | 50 | 30  | 50  | 30  | 50  | 30  | 50  |
| RCR               | 0  | 119 | 119 | 111 | 111 | 106 | 106 |
|                   | 2  | 102 | 98  | 98  | 94  | 95  | 92  |
|                   | 4  | 89  | 84  | 86  | 82  | 84  | 80  |
|                   | 6  | 79  | 73  | 77  | 72  | 75  | 71  |
|                   | 8  | 70  | 64  | 69  | 64  | 68  | 63  |
|                   | 10 | 63  | 58  | 62  | 57  | 61  | 57  |

Zonal Cavity Method  
Effective Floor Cavity Reflectance 20%

#### ZONAL LUMEN SUMMARY

| ZONE  | LUMENS | %LUMINAIRE |
|-------|--------|------------|
| 0-30  | 787.2  | 72.7%      |
| 0-40  | 946.5  | 87.4%      |
| 0-60  | 1051.0 | 97.1%      |
| 60-90 | 31.7   | 2.9%       |
| 0-90  | 1082.7 | 100%       |

#### MULTIPLE UNIT DATA - (RCR 2)

| SPACING ON CENTER | INITIAL FOOTCANDLES | WATTS/ SQ. FT. |
|-------------------|---------------------|----------------|
| 5'                | 52                  | 0.50           |
| 6'                | 29                  | 0.28           |
| 7'                | 20                  | 0.20           |
| 8'                | 20                  | 0.20           |
| 9'                | 13                  | 0.13           |

38' x 38' x 10' Room. Workplan located 2-1/2' (30").  
Reflectance factor 80%/50%/30%

#### CANDELAS DISTRIBUTION

| DEGREES/ VERTICAL | CANDELAS | DEGREES/ VERTICAL | CANDELAS |
|-------------------|----------|-------------------|----------|
| 0                 | 1745     | 40                | 130      |
| 5                 | 1654     | 50                | 59       |
| 10                | 1425     | 60                | 28       |
| 15                | 1164     | 70                | 15       |
| 20                | 925      | 80                | 3        |
| 25                | 695      | 90                | 0        |
| 30                | 453      |                   |          |