

SPECIFICATION SHEET

IC35GU10-10W**3-1/2" - Classic/Evolution****IC and Air Tight Housing for GU10 (LED) Lamp**

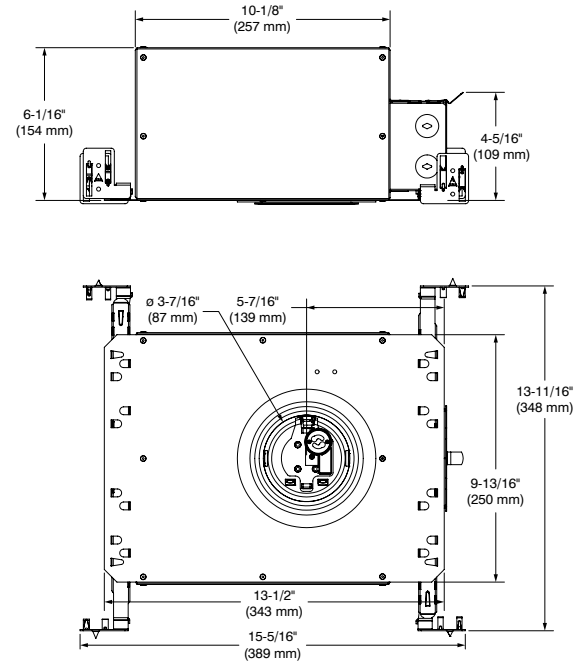
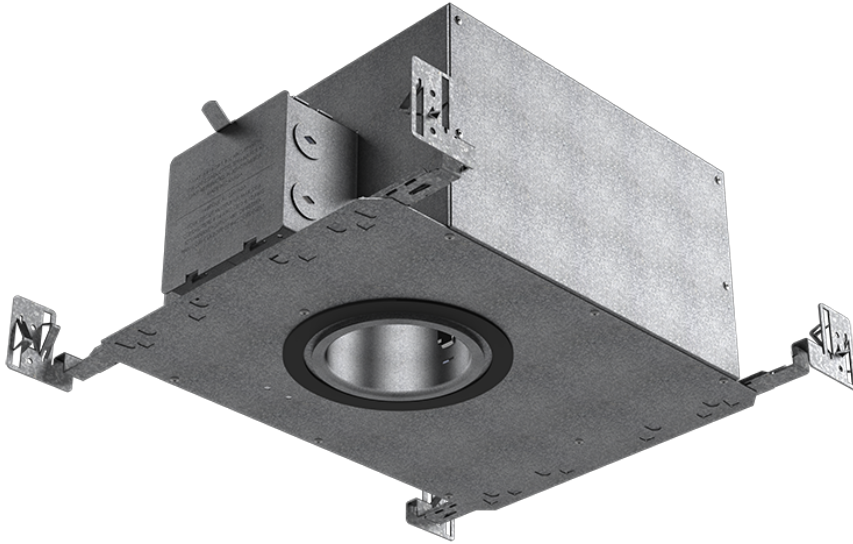
Project _____

Notes _____

Fixture Type _____

Date _____

The picture and technical drawing illustrate an IC Air Tight housing.



SPECIFICATIONS

HOUSING DETAILS

18 gauge up to 0.051" (1.3 mm) thick galvanized steel housing.
 33-1/2 in³ junction box can support up to 10 - 14 gauge wires or 8 - 12 gauge wires.
 Below-ceiling accessible.

MOUNTING AND SUPPORT

Cutout diameter: ϕ 3-5/8" (92 mm)
 Can fit ceilings up to 2" (51 mm) thick.
 Requires a 6-1/16" (154 mm) clearance beyond the ceiling level.
 Tool-free snap-in hooks for ease of installation and a perfect fit to ceiling.
 Mounting bars extend from 10" (254 mm) to 24-1/2" (622 mm) to fit in most ceilings.
 No light leakage.

LAMPS

GU10 LED 10W MAX

VOLTAGE

120 Volts

DIMMING

If you want to use the dimming option, please refer regularly to the lamp manufacturer compatibility list.

COMPATIBLE TRIMS

R3151	R3652	S3450D	T3145	T3200	T3450W
R3151W	S3145	T3000	T3145D	T3250	T3850
R3450D	S3151	T3100	T3145DG	T3450	
R3470	S3450	T3125	T3145W	T3450D	

CERTIFICATION

- cULus for damp locations; wet locations for shower trims only
- Certified Air Tight ASTM E283

WARRANTY

1-year limited warranty on components

CONTRASTE

2021-01

PRINTED IN CANADA

1009, rue du Parc Industriel
 Lévis (Québec) G6Z 1C5 Canada
 Tel.: 1-888-839-4624
 Fax.: 1-877-839-7057
 contrastlighting.com
 info@contrastlighting.com

© 2021 Contrast Lighting M.L. Inc.
 All rights reserved

Contrast Lighting M.L. Inc. reserves the right to make changes in specifications and/or to discontinue any product at any time without notice or obligation and will not be liable for any consequences resulting from the use of this publication.

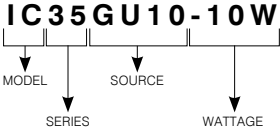
IC35GU10-10W

3-1/2" - Classic/Evolution

IC and Air Tight Housing for GU10 (LED) Lamp



CODIFICATION EXAMPLE



ORDERING CODES

MODEL	SERIES	SOURCE	WATTAGE
IC	35	GU10	-10W
IC Classic New Construction Housing	35 3-1/2" Series	GU10 GU10 LED	-10W 10W

GOOF RINGS

Goof rings correct the openings too large or damaged ceiling cutout.

All goof rings are available in all Contraste finishes.
Add finish color code at the end of the goof rings code.
Ex.: RON3000-06

For round trims
Code: RON3000



Outside diameter: ø 6-1/8" (156 mm)
Inside diameter: ø 3-5/8" (92 mm)

For square trims
Code: RON3100



Outside dimensions: 5" (127 mm) x 5" (127 mm)
Inside diameter: ø 3-5/8" (92 mm)