

# IC40MR16

4" - Classic/Evolution

## IC and Air Tight (10W) Housing for MR16 LED and Halogen Lamp

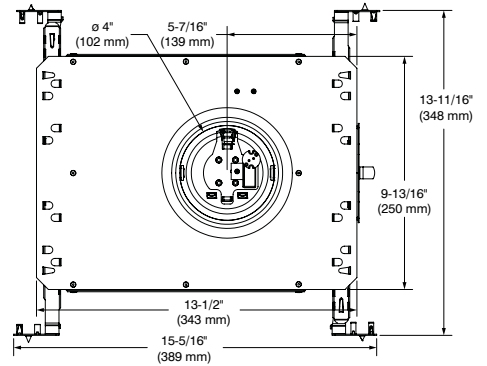
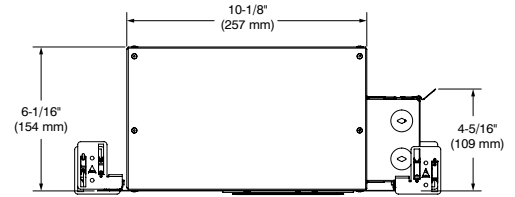
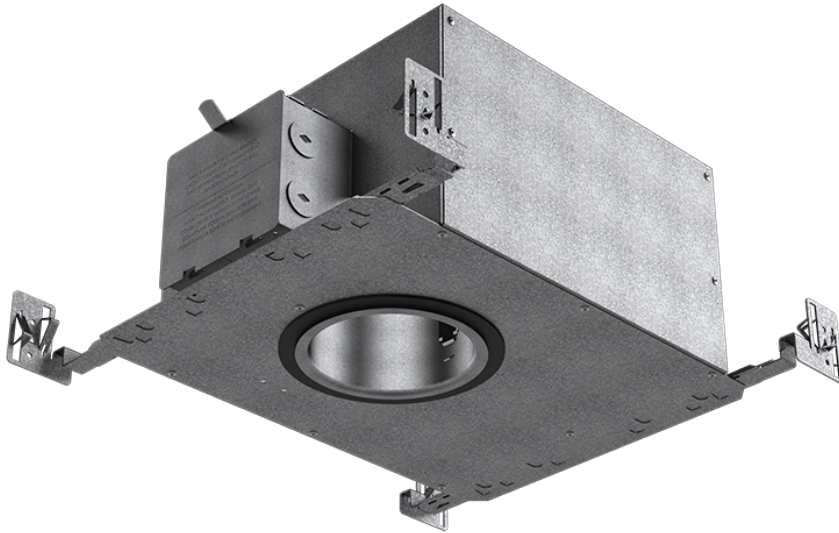
Project \_\_\_\_\_

Notes \_\_\_\_\_

Fixture Type \_\_\_\_\_

Date \_\_\_\_\_

The picture and technical drawing illustrate an IC Air Tight housing.



### SPECIFICATIONS

HOUSING DETAILS	18 gauge up to 0.051" (1.3 mm) thick galvanized steel housing. 33-1/2 in <sup>3</sup> junction box can support up to 10 - 14 gauge wires or 8 - 12 gauge wires. Below-ceiling accessible.			
MOUNTING AND SUPPORT	<b>Cutout diameter: ø 4-1/4" (108 mm)</b> Can fit ceilings up to 2" (51 mm) thick. Requires a 6-1/16" (154 mm) clearance beyond the ceiling level. Tool-free snap-in hooks for ease of installation and a perfect fit to ceiling. Mounting bars extend from 10" (254 mm) to 24-1/2" (622 mm) to fit in most ceilings. No light leakage.			
LAMPS	<b>MR16 LED GU5.3 10W MAX (IC &amp; AIR TIGHT)</b>		<b>MR16 GU5.3 37W MAX (IC &amp; NOT AIR TIGHT)</b>	
VOLTAGE	120 Volts    277 Volts			
TRANSFORMER	<b>LTF Electronic Transformers</b> <b>120V-10W:</b> TA15WA12LED65B15 <b>120V-37W:</b> TA60WA12LED65B15 <b>120VD-37W:</b> TA60WA12LED65B15D010 <b>277V-10W:</b> TE15WA12LED65B15 <b>277V-37W:</b> TE60WA12LED65B15 <b>277VD-37W:</b> TE60WA12LED65B15D010			
DIMMING	Only use ELV and 0-10V type. (To use the dimming option, please refer regularly to the lamp manufacturer compatibility list)			
COMPATIBLE TRIMS	R2000	R2100	S2000	S2100    T2000
CERTIFICATION	<ul style="list-style-type: none"> <li>cULus for damp locations; wet locations for shower trims (7W) only (for LED lamps)</li> <li>cULus for damp locations; wet locations for shower trims (20W) only (for halogen lamps)</li> <li>Certified Air Tight ASTM E283 (10W MAX)</li> </ul>			
WARRANTY	3-year limited warranty on the electronic transformer and 1-year on components			

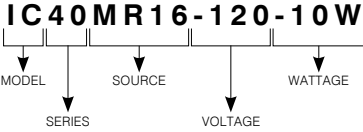
# IC40MR16

4" - Classic/Evolution

IC and Air Tight (10W) Housing for MR16 LED and Halogen Lamp



CODIFICATION EXAMPLE



ORDERING CODES

MODEL		SERIES		SOURCE		VOLTAGE		WATTAGE	
IC		40		MR16					
<b>IC</b>	Classic New Construction Housing	<b>40</b>	4" Series	<b>MR16</b>	MR16 LED GU5.3 MR16 GU5.3	<b>-120</b>	120 Volts (ELV)	<b>-10W</b>	10W (LED)
						<b>-277</b>	277 Volts (ELV)	<b>-37W</b>	37W (Halogen)*
						<b>-120D</b>	120 Volts (0-10V)	<b>-37W</b>	37W (Halogen)*
						<b>-277D</b>	277 Volts (0-10V)		

\*Not for air tight ceiling.

GOOF RINGS

Goof rings correct the openings too large or damaged ceiling cutout.

All goof rings are available in all Contraste finishes.  
Add finish color code at the end of the goof rings code.  
Ex.: RON2000-06

For round trims  
**Code: RON2000**



Outside diameter: ø 6-1/8" (156 mm)  
Inside diameter: ø 4-1/8" (105 mm)

For square trims  
**Code: RON2100**



Outside dimensions: 5-1/2" (140 mm) x 5-1/2" (140 mm)  
Inside diameter: ø 4-1/8" (92 mm)