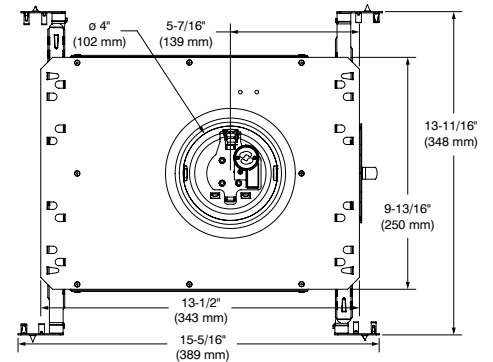
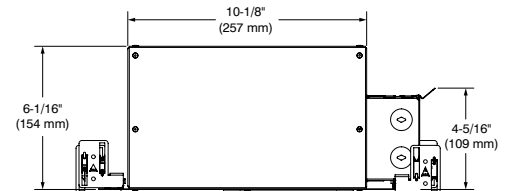
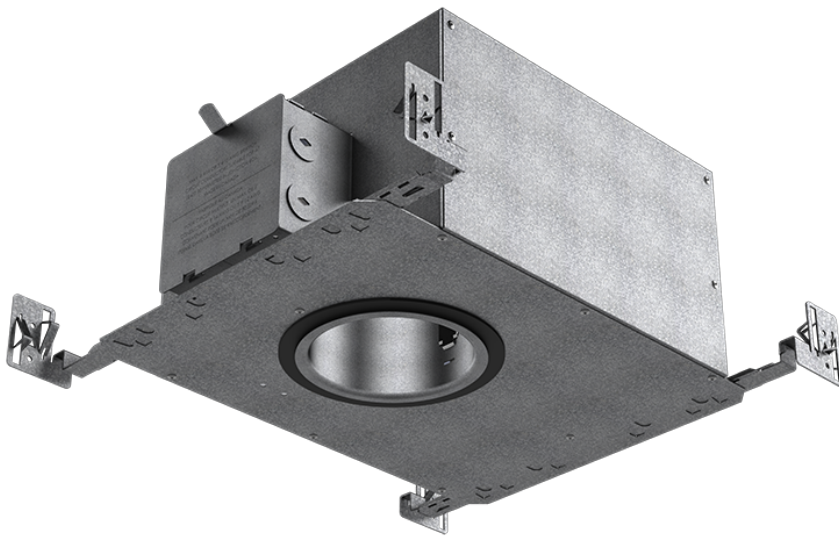


SPECIFICATION SHEET

IC40PAR-10W**4" - Classic/Evolution****IC and Air Tight Housing for PAR (LED) Lamp**

The picture and technical drawing illustrate an IC Air Tight housing.



SPECIFICATIONS

HOUSING DETAILS	18 gauge up to 0.051" (1.3 mm) thick galvanized steel housing. 33-1/2 in ³ junction box can support up to 10 - 14 gauge wires or 8 - 12 gauge wires. Below-ceiling accessible.
MOUNTING AND SUPPORT	Cutout diameter: ø 4-1/4" (108 mm) Can fit ceilings up to 1-1/2" (38 mm) thick. Requires a 6-1/16" (154 mm) clearance beyond the ceiling level. Tool-free snap-in hooks for ease of installation and a perfect fit to ceiling. Mounting bars extend from 10" (254 mm) to 24-1/2" (622 mm) to fit in most ceilings. No light leakage.
LAMPS	PAR20 LED 10W MAX
VOLTAGE	120 Volts
DIMMING	If you want to use the dimming option, please refer regularly to the lamp manufacturer compatibility list.
COMPATIBLE TRIMS	A2000 A2100 A2450S D2000 D2100
CERTIFICATION	<ul style="list-style-type: none"> cULus for damp locations; wet locations for shower trims only Certified Air Tight ASTM E283
WARRANTY	1-year limited warranty on components

CONTRASTE

1009, rue du Parc Industriel
Lévis (Québec) G6Z 1C5 Canada
Tel.: 1-888-839-4624
Fax.: 1-877-839-7057
contrastlighting.com
info@contrastlighting.com

© 2021 Contrast Lighting M.L. Inc.
All rights reserved

Contrast Lighting M.L. Inc. reserves the right to make changes in specifications and/or to discontinue any product at any time without notice or obligation and will not be liable for any consequences resulting from the use of this publication.

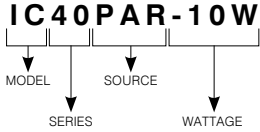
IC40PAR-10W

4" - Classic/Evolution

IC and Air Tight Housing for PAR (LED) Lamp



CODIFICATION EXAMPLE



ORDERING CODES

MODEL	SERIES	SOURCE	WATTAGE
IC	40	PAR	-10W
IC Classic New Construction Housing	40 4" Series	PAR PAR20 LED	-10W 10W

GOOF RINGS

Goof rings correct the openings too large or damaged ceiling cutout.

All goof rings are available in all Contraste finishes.
Add finish color code at the end of the goof rings code.
Ex.: RON2000-06

For round trims
Code: RON2000



Outside diameter: \varnothing 6-1/8" (156 mm)
Inside diameter: \varnothing 4-1/8" (105 mm)

For square trims
Code: RON2100



Outside dimensions: 5-1/2" (140 mm) x 5-1/2" (140 mm)
Inside diameter: \varnothing 4-1/8" (92 mm)