


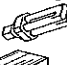


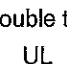


SPECIFICATION SHEET

PROJECT No:

"IC" TYPE HOUSING

ISMR2000T 120/12V

-  **yes**
- Voltage 120 VOLTS**
-  **GU/GZ-10 50W max.**
- 
- 
- 
- 
-  **T°C 120°C No 031**

Double top **yes**

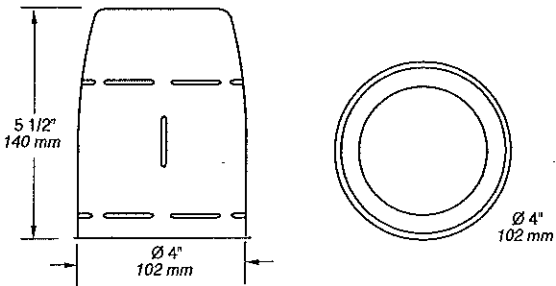
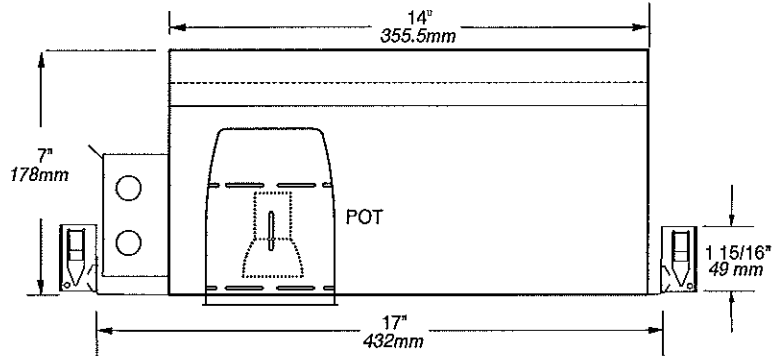
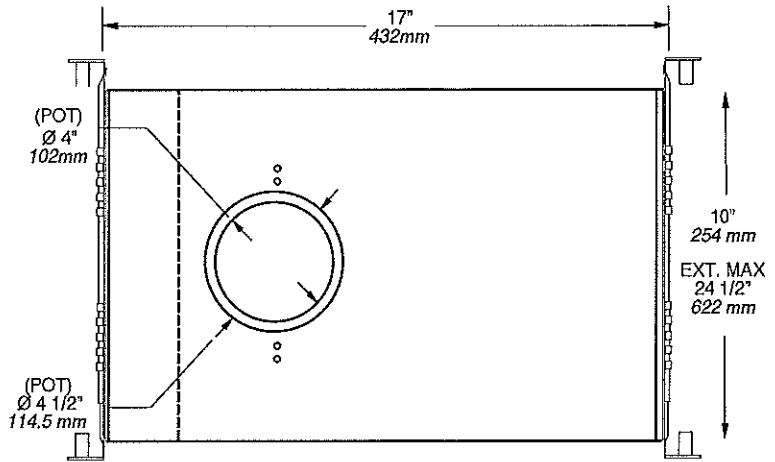
UL number **E 174023**


E Electronic **M** Magnetic **C** Short **L** Long

AIR TIGHT HOUSING

AVAILABLE TRIMS:

T2000, T2000V, T2010V, T2030V, R2000
 T2000VL, T2010VL, T2030VL
 R2000VSM, R2010VSM, R2030VSM
 R2000VST, R2010VST, R2030VST



 **OD Cut : 4 1/4" (107 mm)**

NOTES:
 For ceiling with insulation
 Below ceiling access



LISTED
 Certified UL Standards

PROJECT

Your Project: _____

Representative: _____