

IT3000T-LED

3-1/2" 3000 Series - Evolution LED

IC Air Tight Remodel Housing for GU10 LED Lamp

SPECIFICATIONS

HOUSING DETAILS

18 gauge 0.051" (1.3 mm) thickness galvanized steel.
 Approved for use in insulated ceilings in direct contact with the insulation material (except polyurethane).
 Air Tight.
 Flexible channel wire bracket made of 20 gauge steel, bending up to 45° vertically for ease of installation in confined spaces.
 Junction box can support up to 10 – 14 gauge wires or 8 – 12 gauge wires.
 Below-ceiling accessible.

MOUNTING

Cutout diameter: Ø 3-5/8" (92 mm)
 Can fit in ceilings up to 7/8" (22 mm) thick.
 Requires a 6" (152 mm) clearance beyond the ceiling level.
 Hook for ease of installation and a perfect fit to ceiling.
 No light leakage.

LAMP

GU10 LED 9.8W MAX
 This product was designed for GU10 LED lamp. If you want to use a dimmer, please refer regularly to the lamp manufacturer dimmer compatibility list.

VOLTAGE

120 Volts

COMPATIBLE TRIMS

R3151	S3400	T3145W	T3400
R3151W	S3450	T3152	T3400D
R3152	S3450D	T3165	T3450
R3171	T3000	T3185	T3450D
R3450D	T3100	T3200	T3450W
R3470	T3125	T3250	T3650
R3652	T3145	T3250DG	T3652
S3145	T3145D	T3260	T3850
S3151	T3145DG	T3300	

THERMAL PROTECTION

TC 194°F (90°C)

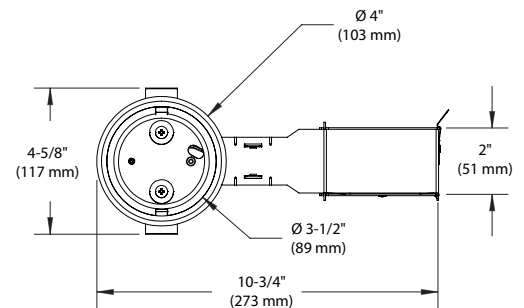
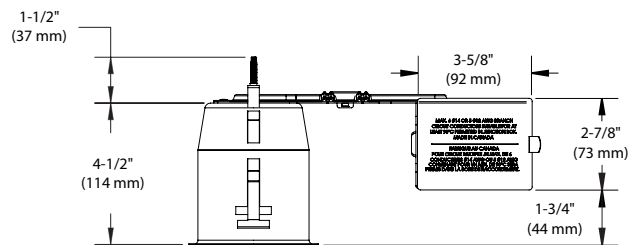
CERTIFICATION

- cULus **E343977** for damp locations
- Certified Air Tight ASTM E283

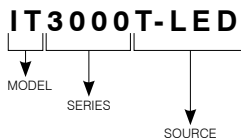
WARRANTY

1 year warranty against manufacturing defects.

Project	
Notes	
Fixture Type	
Date	



CODIFICATION EXAMPLE



ORDERING CODE

MODEL	SERIES	SOURCE
IT	3000	T-LED
IT Remodel	3000 3-1/2" Series	T-LED GU10 LED Lamp

