

NW3000CT-LED

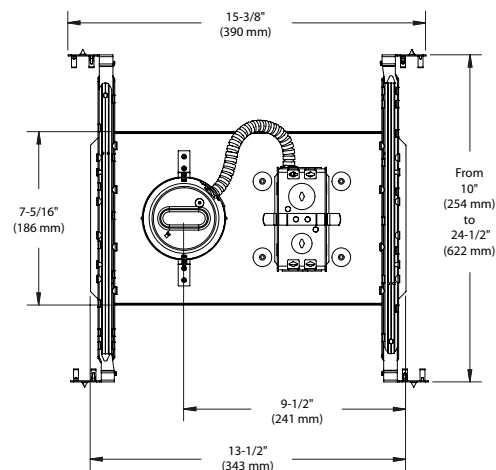
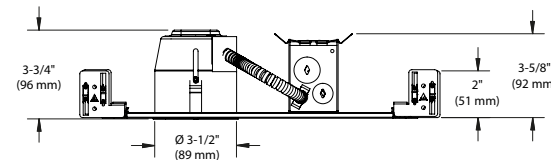
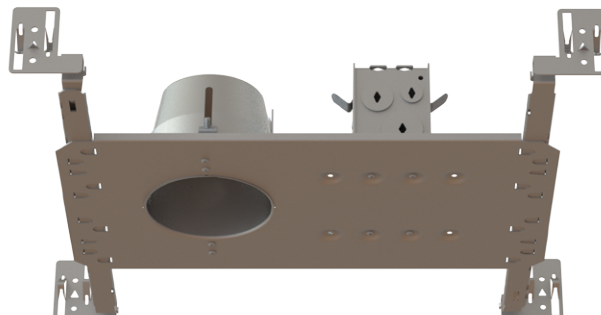
3-1/2" 3000 Series - Evolution LED

IC Air Tight Short New Construction Housing for GU10 LED Lamp

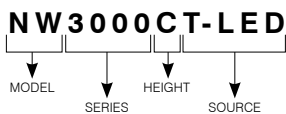
Project	
Notes	
Fixture Type	
Date	

SPECIFICATIONS

HOUSING DETAILS	18 gauge 0.051" (1.3 mm) thickness galvanized steel.			
	Approved for installation in insulated ceiling with direct contact to insulating material (except polyurethane). Air Tight. Junction box can support up to 10 – 14 gauge wires or 8 – 12 gauge wires. Below-ceiling accessible.			
MOUNTING	Cutout diameter: Ø 3-5/8" (92 mm)			
	Can fit in ceilings up to 1-1/2" (38 mm) thick. Requires a 3-3/4" (96 mm) clearance beyond the ceiling level. Contrast hooks for ease of installation and a perfect fit to ceiling. Mounting bars extend from 10" (254 mm) to 24-1/2" (622 mm) to fit in most ceiling structures (compatible with suspended ceilings). No light leakage.			
LAMP	GU10 LED 9.8W MAX			
	This product was designed for GU10 LED lamp. If you want to use a dimmer, please refer regularly to the lamp manufacturer dimmer compatibility list.			
VOLTAGE	120 Volts			
COMPATIBLE TRIMS	T3100 T3125 T3152	T3200 T3250	T3250DG T3260	T3300 T3652
THERMAL PROTECTION	TC 194°F (90°C)			
CERTIFICATION	<ul style="list-style-type: none"> cULus E343977 for damp locations Certified Air Tight ASTM E283 			
WARRANTY	1 year warranty against manufacturing defects.			



CODIFICATION EXAMPLE



ORDERING CODE

MODEL	SERIES	HEIGHT	SOURCE
NW	3000	C	T-LED
NW New Construction	3000 3-1/2" Series	C Short	T-LED GU10 LED Lamp

