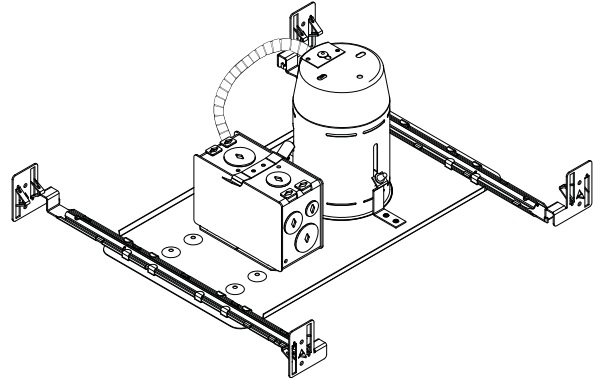









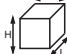
# SPECIFICATION SHEET

3 1/2" 3000 SERIES

# NW3000LT

LONG NEW CONSTRUCTION HOUSING  
FOR GU/GZ-10 BULB



	YES
Damp Location	
	NO
MR16	
	GU/GZ-10 50W MAX.
GU/GZ-10	
	120 VOLTS (CAN & USA.)
Voltage	
	T°C 125°C No 032
Thermal Protector	
	3 5/8" (92mm)
OD Cut	
	E174023
UL US LISTED	
	Overall Dimensions: Length: 15 3/8" (391 mm) Width: 10" (254 mm) Height: 5 1/2" (140 mm)
Dimensions	

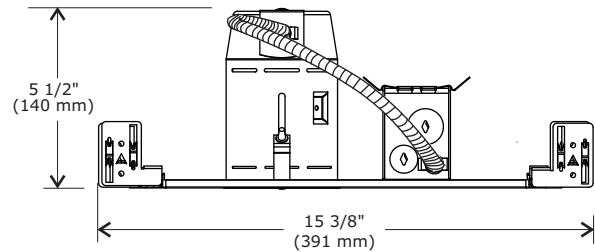
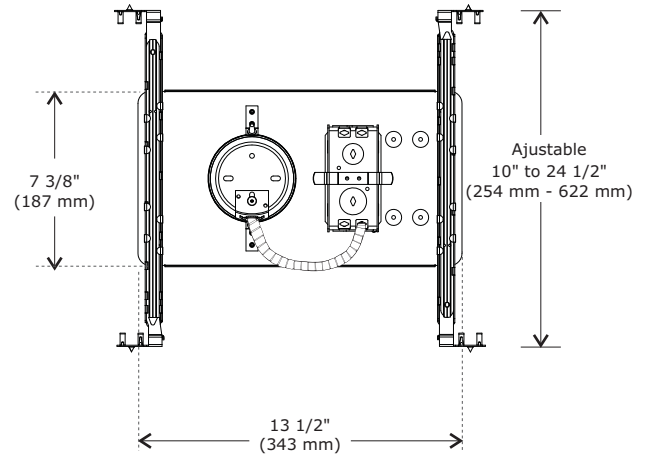
## COMPATIBLE TRIMS

### GU/GZ-10 50W MAX

R3151	S3151	T3145	T3400W	T3700
R3151K	S3400	T3145DSM	T3450	T3800
R3151W	S3400D	T3145DST	T3450K	T3850
R3152	S3450	T3145W	T3450W	T3900
R3601	S3450D	T3152	T3450WK	
R3601W	S3500	T3165	T3500	
R3602	S3500D	T3185	T3500W	
R3651	S3601	T3200	T3600	
R3651W	S3651	T3250	T3602	
R3652	T3000	T3260	T3650	
S3145	T3100	T3300	T3652	
S3145D	T3125	T3400		

## TECHNICAL SPECIFICATIONS

0,051" (1,3mm) thickness Galvanized Steel.  
Below-ceiling accessible.  
Hooks PAT#CAN 2,088,648 and #USA 5,377,088.  
Takes up to 7/8" thick ceiling.  
Perfect fit into ceiling.  
No light leak.  
Each part of the case should be at 3" (76mm) MINIMUM from insulation (if applicable).



Your representative: \_\_\_\_\_

Your project: \_\_\_\_\_