

NW40PAR-10W

4" - Classic/Evolution

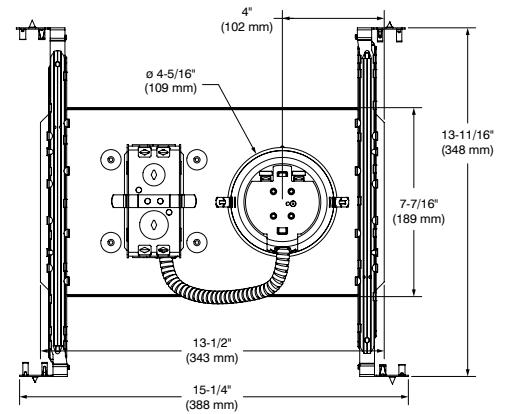
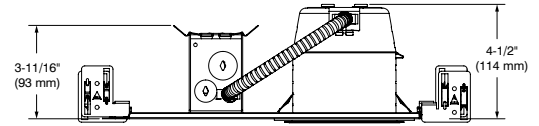
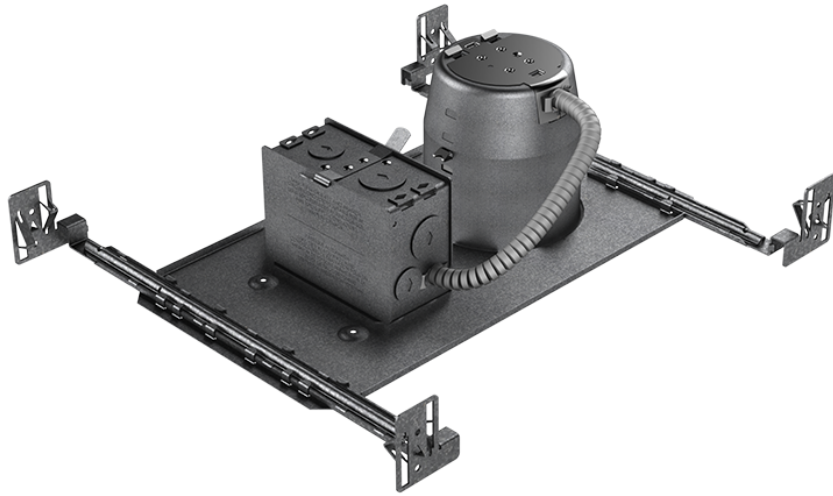
New Construction Housing IC and Air Tight for PAR (LED) Lamp

Project _____

Notes _____

Fixture Type _____

Date _____



SPECIFICATIONS

HOUSING DETAILS	18 gauge up to 0.051" (1.3 mm) thick galvanized steel housing. 26-1/2 in ³ junction box can support up to 10 - 14 gauge wires or 8 - 12 gauge wires. Below-ceiling accessible.
MOUNTING AND SUPPORT	Cutout diameter: ø 4-1/4" (108 mm) Can fit ceilings up to 2" (51 mm) thick. Requires a 4-1/2" (115 mm) clearance beyond the ceiling level. Tool-free snap-in hooks for ease of installation and a perfect fit to ceiling. Mounting bars extend from 10" (254 mm) to 24-1/2" (622 mm) to fit in most ceilings. No light leakage.
LAMPS	PAR20 LED 10W MAX
VOLTAGE	120 Volts
DIMMING	If you want to use the dimming option, please refer regularly to the lamp manufacturer compatibility list.
COMPATIBLE TRIMS	A2000 A2100 A2450S D2000 D2100
CERTIFICATION	<ul style="list-style-type: none"> cULus for damp locations; wet locations for shower trims only Certified Air Tight ASTM E283
WARRANTY	1-year limited warranty on components

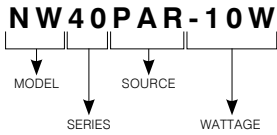
NW40PAR-10W

4" - Classic/Evolution

New Construction Housing IC and Air Tight for PAR (LED) Lamp



CODIFICATION EXAMPLE



ORDERING CODES

MODEL	SERIES	SOURCE	WATTAGE
NW	40	PAR	-10W
NW New Construction Housing	40 4" Series	PAR PAR20 LED	-10W 10W

GOOF RINGS

Goof rings correct the openings too large or damaged ceiling cutout.

All goof rings are available in all Contraste finishes.
Add finish color code at the end of the goof rings code.
Ex.: RON2000-06

For round trims
Code: RON2000



Outside diameter: \varnothing 6-1/8" (156 mm)
Inside diameter: \varnothing 4-1/8" (105 mm)

For square trims
Code: RON2100



Outside dimensions: 5-1/2" (140 mm) x 5-1/2" (140 mm)
Inside diameter: \varnothing 4-1/8" (92 mm)