

NWA3R-EM — NWA3S-EM

3-1/2" Series - Ardito

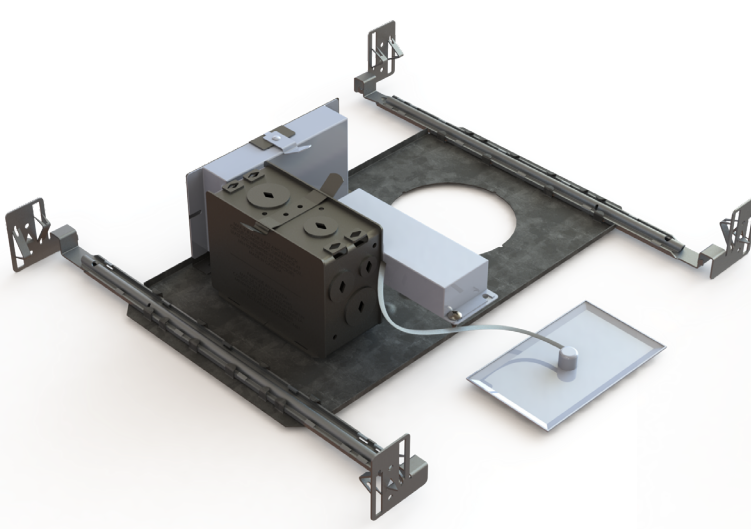
“Non-IC”, New Construction Housing with Emergency lighting

Project _____

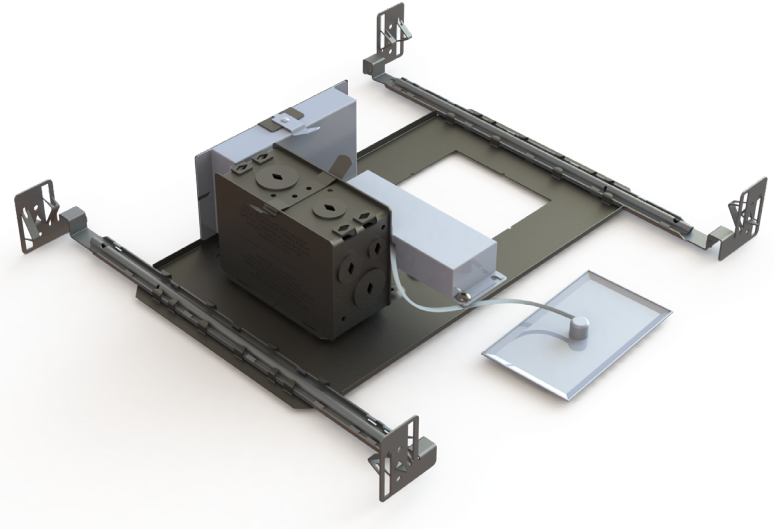
Notes _____

Fixture type _____

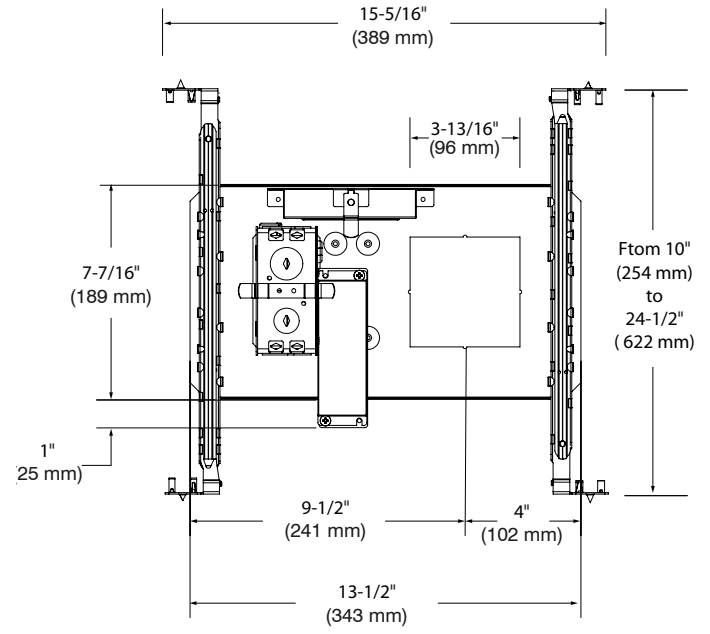
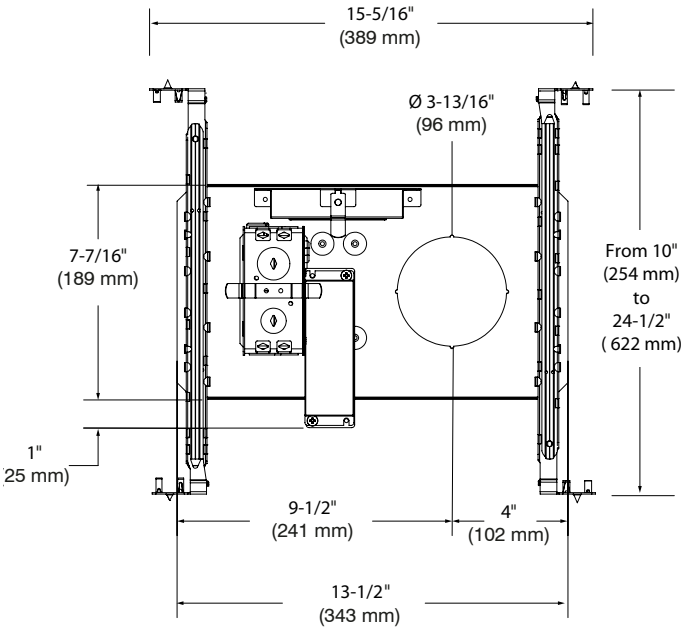
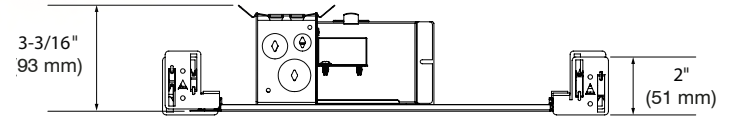
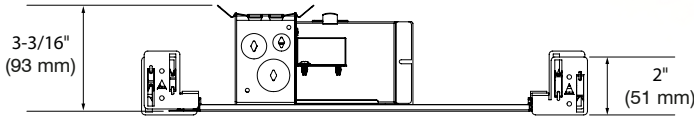
Date _____



NWA3R-EM (illustrated)



NWA3S-EM (illustrated)



CONTRASTE

2018-03
Revision 1

PRINTED IN CANADA

1009, rue du Parc Industriel
Lévis (Québec) G6Z 1C5 Canada
Tel.: 1-888-839-4624
Fax.: 1-877-839-7057
contrastelighting.com
info@contrastelighting.com

© 2018 Contraste Lighting M.L. Inc.
All rights reserved

Contrast Lighting M.L. Inc. reserves the right to make changes in specifications and/or to discontinue any product at any time without notice or obligation and will not be liable for any consequences resulting from the use of this publication.

NWA3R-EM — NWA3S-EM

3-1/2" Series - Ardito**“Non-IC”, New Construction Housing with Emergency lighting**

SPECIFICATIONS

EMERGENCY LIGHTING	Runtime: 120 minutes minimum Maximum height installation: 40' Test button and mounting plate: included Battery lifespan: 5 years																											
HOUSING DETAILS	Galvanized steel housing 33-1/2 in ³ junction box can support up to 10 - 14 gauge wires or 8 - 12 gauge wires (90° wires). Below-ceiling accessible.																											
MOUNTING AND SUPPORT	<p>Round Cutout: ø 3-3/4" (95 mm) Square Cutout: 3-3/4" (95 mm) x 3-3/4" (95 mm)</p> <p>Mud-in-Plate: Required with the use of flangeless trim (MIPA3R, MIP3S)</p> <p>Optional: Reusable steel cutout template for square trim (TEMP-SQ)</p> <p>Consult trims specification sheets for plenum space requirements Insulation material must be kept at least 3" (76 mm) away from the fixture Can fit in ceiling up to 1-1/2" (38 mm) thick Mounting bars extend from 10" (254 mm) to 24-1/2" (622 mm) to fit in most ceiling structures.</p>																											
POWER	120V - 277V																											
DRIVER (OPTIONS)	<p>PERFORMANCE 1</p> 1,450 lumens (14W) For standard (solid white) light engines <u>2 types of dimming offered:</u> <ul style="list-style-type: none"> • Electronic Low Voltage (ELV) (120V only) • 0-10V (120V/277V) <p>Due to constant evolution of dimmers we must test them regularly. We invite you to consult frequently our Web site to find our dimmer compatibility list: www.contrastlighting.com</p>		<p>PERFORMANCE 2</p> 2,050 lumens (23W) For standard (solid white) light engines <u>2 types of dimming offered:</u> <ul style="list-style-type: none"> • Electronic Low Voltage (ELV) (120V only) • 0-10V (120V/277V) 																									
COMPATIBLE TRIMS	<p style="text-align: center;">ROUND APERTURE</p> <table border="1"> <thead> <tr> <th>Performance 1 (14W)</th> <th>Performance 2 (23W)</th> </tr> </thead> <tbody> <tr><td>A3RAF</td><td>A3RAF</td></tr> <tr><td>A3RAR</td><td>A3RAR</td></tr> <tr><td>A3RFD</td><td>A3RFD</td></tr> <tr><td>A3RFR</td><td>A3RFR</td></tr> <tr><td>A3RSF</td><td>A3RSF</td></tr> <tr><td>A3RWW</td><td>A3RWW</td></tr> </tbody> </table>		Performance 1 (14W)	Performance 2 (23W)	A3RAF	A3RAF	A3RAR	A3RAR	A3RFD	A3RFD	A3RFR	A3RFR	A3RSF	A3RSF	A3RWW	A3RWW	<p style="text-align: center;">SQUARE APERTURE</p> <table border="1"> <thead> <tr> <th>Performance 1 (14W)</th> <th>Performance 2 (23W)</th> </tr> </thead> <tbody> <tr><td>A3SAR</td><td>A3SAR</td></tr> <tr><td>A3SFR</td><td>A3SFR</td></tr> <tr><td>A3SSF</td><td>A3SSF</td></tr> <tr><td>A3SWW</td><td>A3SWW</td></tr> </tbody> </table>		Performance 1 (14W)	Performance 2 (23W)	A3SAR	A3SAR	A3SFR	A3SFR	A3SSF	A3SSF	A3SWW	A3SWW
Performance 1 (14W)	Performance 2 (23W)																											
A3RAF	A3RAF																											
A3RAR	A3RAR																											
A3RFD	A3RFD																											
A3RFR	A3RFR																											
A3RSF	A3RSF																											
A3RWW	A3RWW																											
Performance 1 (14W)	Performance 2 (23W)																											
A3SAR	A3SAR																											
A3SFR	A3SFR																											
A3SSF	A3SSF																											
A3SWW	A3SWW																											
CERTIFICATION	cULus E343977 for damp locations and wet locations with the shower trims																											
WARRANTY	5 years on LED driver																											

CONTRASTE

2018-03
Revision 1

PRINTED IN CANADA

1009, rue du Parc Industriel
 Lévis (Québec) G6Z 1C5 Canada
 Tel.: 1-888-839-4624
 Fax.: 1-877-839-7057
contrastlighting.com
info@contrastlighting.com

© 2018 Contraste Lighting M.L. Inc.
 All rights reserved

Contrast Lighting M.L. Inc. reserves the right to make changes in specifications and/or to discontinue any product at any time without notice or obligation and will not be liable for any consequences resulting from the use of this publication.

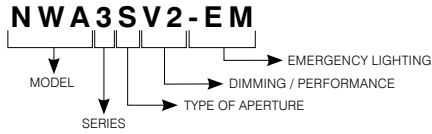
NWA3R-EM — NWA3S-EM

3-1/2" Series - Ardito

“Non-IC”, New Construction Housing with Emergency Lighting



CODIFICATION EXAMPLE



ORDERING CODES

MODEL	SERIES	TYPE OF APERTURE	DIMMING / PERFORMANCE	EMERGENCY LIGHTING
NWA	3			
NWA Ardito New Construction Housing	3 3-1/2" Series	R Round S Square	V1 14W (1,450 lumens) 120V/277V 0-10V ELV (120V only) V2 23W (2,050 lumens) 120V/277V 0-10V ELV (120V only)	-EM Emergency Lighting

MUD-IN-PLATE OPTION

Required with the use of a flangeless trim (see installation instructions for more details)

ROUND

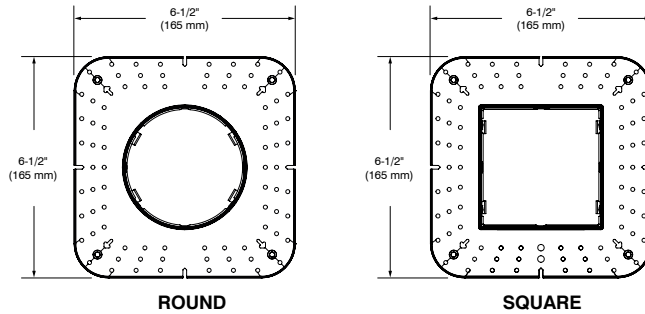
ø 3-3/4" (95 mm)

Code: MIPA3R

SQUARE

3-3/4" (95 mm) x 3-3/4" (95 mm)

Code: MIPA3S



REUSABLE TEMPLATE OPTION

Reusable steel cutout template for square trim

Code: TEMP-SQ

