

NWA4R-EM — NWA4S-EM

4" Series - Ardito

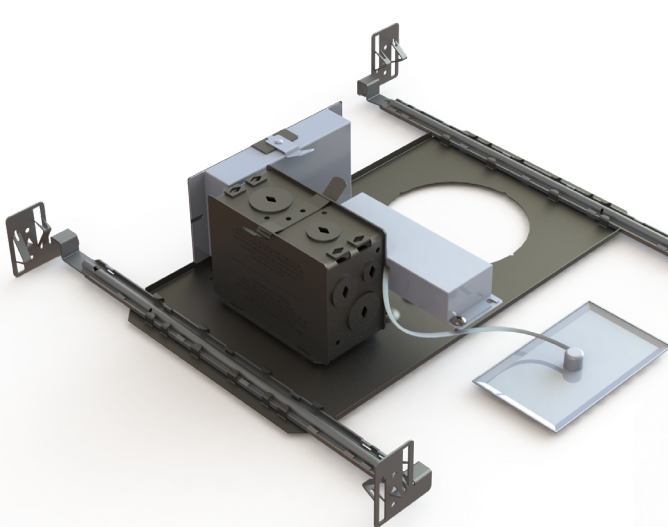
“Non-IC”, New Construction Housing with Emergency lighting

Project _____

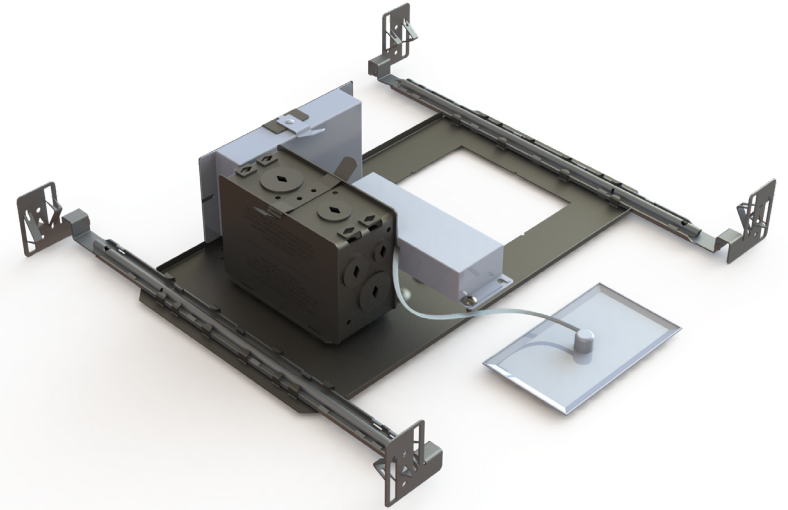
Notes _____

Fixture type _____

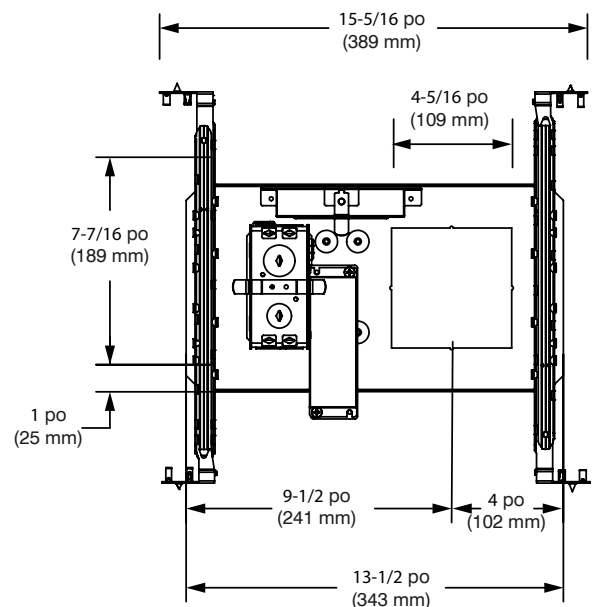
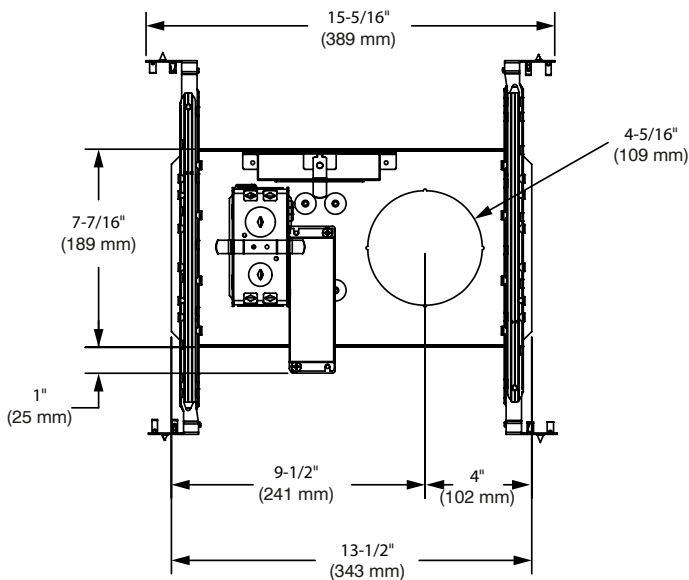
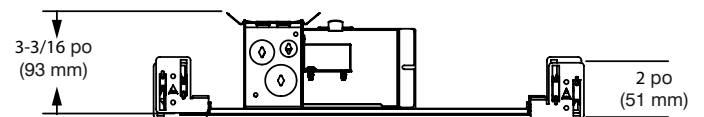
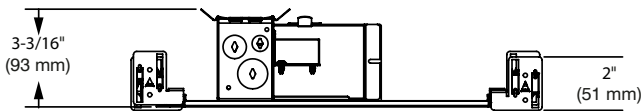
Date _____



NWA4R-EM (illustrated)



NWA4S-EM (illustrated)



CONTRASTE

2018-03
Revision 1

PRINTED IN CANADA

1009, rue du Parc Industriel
Lévis (Québec) G6Z 1C5 Canada
Tel.: 1-888-839-4624
Fax.: 1-877-839-7057
contrastelighting.com
info@contrastelighting.com

© 2018 Contraste Lighting M.L. Inc.
All rights reserved

Contrast Lighting M.L. Inc. reserves the right to make changes in specifications and/or to discontinue any product at any time without notice or obligation and will not be liable for any consequences resulting from the use of this publication.

NWA4R-EM — NWA4S-EM

4" Series - Ardito

“Non-IC”, New Construction Housing with Emergency lighting



SPECIFICATIONS

EMERGENCY LIGHTING Runtime: 120 minutes minimum
Maximum height installation: 40'
Test button and mounting plate: included
Battery lifespan: 5 years

HOUSING DETAILS Galvanized steel housing
33-1/2 in³ junction box can support up to 10 - 14 gauge wires or 8 - 12 gauge wires (90° wires).
Below-ceiling accessible.

MOUNTING AND SUPPORT **Round Cutout: ø 4-1/4" (108 mm)**
Square Cutout: 4-1/4" (108 mm) x 4-1/4" (108 mm)
Mud-in-Plate: Required with the use of flangeless trim (**MIPA4R, MIP4S**)
Optional: Reusable steel cutout template for square trim (**TEMP-SQ**)
Consult trims specification sheets for plenum space requirements
Insulation material must be kept at least 3" (76 mm) away from the fixture
Can fit in ceiling up to 1-1/2" (38 mm) thick
Mounting bars extend from 10" (254 mm) to 24-1/2" (622 mm) to fit in most ceiling structures.

POWER 120V - 277V

DRIVER (OPTIONS) **PERFORMANCE 1**
1,450 lumens (14W)
For standard (solid white) light engines
2 types of dimming offered:
• Electronic Low Voltage (ELV) (120V only)
• 0-10V (120V/277V)

PERFORMANCE 2
2,050 lumens (23W)
For standard (solid white) light engines
2 types of dimming offered:
• Electronic Low Voltage (ELV) (120V only)
• 0-10V (120V/277V)

Due to constant evolution of dimmers we must test them regularly.
We invite you to consult frequently our Web site to find our dimmer compatibility list: www.contrastlighting.com

COMPATIBLE TRIMS	ROUND APERTURE		SQUARE APERTURE	
	Performance 1 (14W)	Performance 2 (23W)	Performance 1 (14W)	Performance 2 (23W)
	A4RAF	A4RAF	A4SAR	A4SAR
	A4RAR	A4RAR	A4SFR	A4SFR
	A4RFD	A4RFD	A4SSF	A4SSF
	A4RFR	A4RFR	A4SFW	A4SFW
	A4RSF	A4RSF		
	A4RWW	A4RWW		

CERTIFICATION cULus **E343977** for damp locations and wet locations with the shower trims

WARRANTY 5 years on LED driver

CONTRASTE

2018-03
Revision 1

PRINTED IN CANADA

1009, rue du Parc Industriel
Lévis (Québec) G6Z 1C5 Canada
Tel.: 1-888-839-4624
Fax.: 1-877-839-7057
contrastlighting.com
info@contrastlighting.com

© 2018 Contraste Lighting M.L. Inc.
All rights reserved

Contrast Lighting M.L. Inc. reserves the right to make changes in specifications and/or to discontinue any product at any time without notice or obligation and will not be liable for any consequences resulting from the use of this publication.

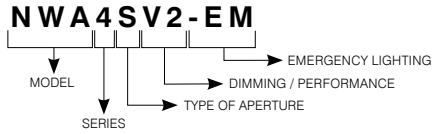
NWA4R-EM — NWA4S-EM

4" Series - Ardito

“Non-IC”, New Construction Housing with Emergency Lighting



CODIFICATION EXAMPLE



ORDERING CODES

MODEL	SERIES	TYPE OF APERTURE	DIMMING / PERFORMANCE	EMERGENCY LIGHTING
NWA	4			
NWA Ardito New Construction Housing	4 4" Series	R Round S Square	V1 14W (1,450 lumens) 120V/277V 0-10V ELV (120V only) V2 23W (2,050 lumens) 120V/277V 0-10V ELV (120V only)	-EM Emergency Lighting

MUD-IN-PLATE OPTION

Required with the use of a flangeless trim (see installation instructions for more details)

ROUND

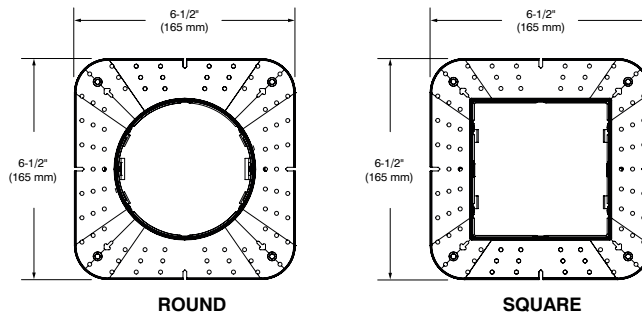
\varnothing 4-1/4" (108 mm)

Code: MIPA4R

SQUARE

4-1/4" (108 mm) x 4-1/4" (108 mm)

Code: MIPA4S



REUSABLE TEMPLATE OPTION

Reusable steel cutout template for square trim

Code: TEMP-SQ

