

# REUR3

## 3-1/2" URBAĪ Series IC and Air Tight Remodel Housing

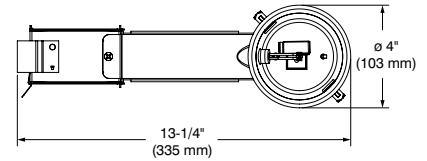
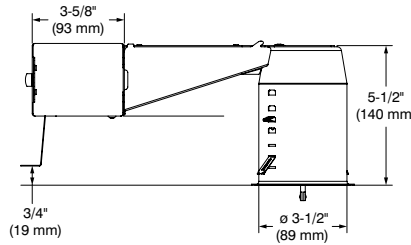


Project \_\_\_\_\_

Notes \_\_\_\_\_

Fixture Type \_\_\_\_\_

Date \_\_\_\_\_



### SPECIFICATIONS

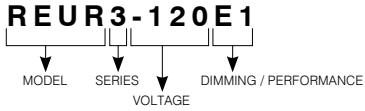
HOUSING DETAILS	MOUNTING	PERFORMANCE	VOLTAGE
<p>Up to 0,051" (1,3 mm) thick galvanized steel housing. Approved for installation in insulated ceilings and in direct contact with insulating material (except polyurethane) on performance 1 only.</p> <p>19-1/2 in<sup>3</sup> junction box.</p> <p>Below-ceiling accessible.</p>	<p><b>Cutout diameter:</b>  <b>ø 3-3/4" (95 mm)</b></p> <p>Can fit ceilings up to 1-1/4" (32 mm) thick.</p> <p>Requires a 7" (178 mm) clearance beyond the ceiling level.</p> <p>Snap-in hooks for ease of installation and a perfect fit to ceiling.</p> <p>No light leakage.</p>	<p><b>1: 10W IC</b>                      up to 1,018 lm</p> <p><b>2: 15W Non-IC</b>                      up to 1,326 lm</p> <p>Warm Dimming (WD)                      up to 650 lm</p>	<p>120 Volts                      277 Volts                      120 / 277 Volts (universal)</p>
DIMMING	COMPATIBLE TRIMS	CERTIFICATION	WARRANTY
<p>ELV: 120V only</p> <p>0-10V: Sourcing driver (Sinking Control) 120V or 277V</p> <p>We invite you to consult frequently our Website to find our suggested compatible dimmers list:  <a href="http://www.contrastlighting.com">www.contrastlighting.com</a></p>	<p><b>JA8 LISTED JA8 CERTIFIED (CEC)</b></p> <p>UR3A, UR3B, UR3C, UR3E,</p> <hr/> <p>UR3D, UR3F, UR3G, UR3J</p>	<ul style="list-style-type: none"> <li>cULus <b>E343977</b> for damp locations; wet with shower trim only.</li> <li>Air Tight tested in accordance with ASTM E283</li> <li>CALIFORNIA TITLE 24 (JA8-2016)                      (Only available with Performance 1)</li> </ul>	<p>1 year on components against manufacturing defects.</p> <p>5 years on LED arrays and drivers.</p>

# REUR3

## 3-1/2" URBAĪ Series IC and Air Tight Remodel Housing



### CODIFICATION EXAMPLE FOR 120V



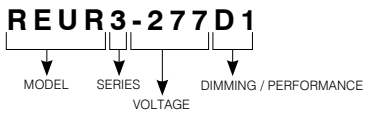
### ORDERING CODES for 120V

MODEL	SERIES	VOLTAGE	DIMMING / PERFORMANCE
<b>REUR</b>	<b>3</b>	<b>-120</b>	
<b>REUR</b> Remodel	<b>3</b> 3-1/2" Series	<b>-120</b> 120V	<b>E1</b> ELV / 10W <b>E2*</b> ELV / 15W <b>EB2*</b> ELV (+Value) / 15W <b>D1</b> 0-10V / 10W — <b>D2*</b> 0-10V / 15W

Contraste suggests ordering **EB2 (ELV (+Value)/15W)** or **D2 (0-10V/15W)** dimming type and performance to use with Warm Dimming

\* Non-IC rated

### CODIFICATION EXAMPLE FOR 277V



### ORDERING CODES for 277V

MODEL	SERIES	VOLTAGE	DIMMING / PERFORMANCE
<b>REUR</b>	<b>3</b>	<b>-277</b>	
<b>REUR</b> Remodel	<b>3</b> 3-1/2" Series	<b>-277</b> 277V	<b>D1</b> 0-10V / 10W <b>D2*</b> 0-10V / 15W <b>2*</b> Non-Dimmable / 15W

Contraste suggests ordering **D2 (0-10V/15W)** dimming type and performance to use with Warm Dimming

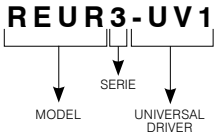
\* Non-IC rated

# REUR3

## 3-1/2" URBAĪ Series IC and Air Tight Remodel Housing



### UNIVERSAL HOUSING CODIFICATION EXAMPLE



### ORDERING CODES for Universal Housing

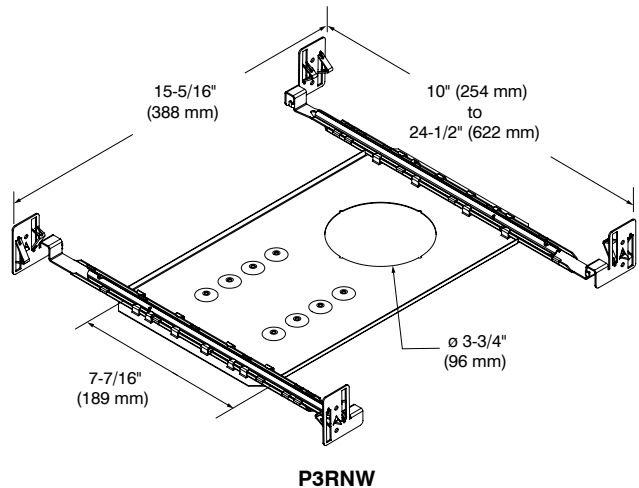
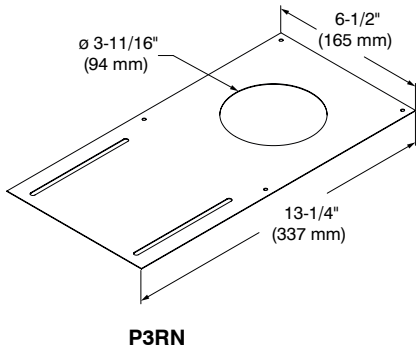
MODEL	SERIE	UNIVERSAL DRIVER
<b>REUR</b>	<b>3</b>	
<b>REUR</b> Remodel	<b>3</b> 3-1/2" Series	<b>-UV1 Performance 1</b> ELV (120V) 10W 0-10V (120V) 10W 0-10V (277V) 10W
		<b>-UV2* Performance 2</b> ELV (120V) 15W 0-10V (120V) 15W 0-10V (277V) 15W

Contraste suggests ordering **UV2 (ELV/0-10V/15W)** dimming type and performance to use with Warm Dimming

\* Non-IC rated

### MOUNTING PLATES

Code: **P3RN** (without bars)  
**P3RNW** (with bars)



# REUR3

## 3-1/2" URBAĪ Series

### IC and Air Tight Remodel Housing



#### GOOF RINGS

Goof rings will help you fix larger than necessary or damaged ceiling cutouts.

For round trims.

**Code: RR3-01** (White)  
**RR3-03SA** (Satin Gold)  
**RR3-04BR** (Brushed Chrome)  
**RR3-11** (Matte White)  
**RR3-12BR** (Brushed Nickel)  
**RR3-13** (Satin Nickel)  
**RR3-22** (Matte Black)  
**RR3-25** (Polar Grey)

Outside diameter:  $\varnothing$  6-1/8" (156 mm)  
 Inside diameter:  $\varnothing$  3-11/16" (94 mm)

For square trims.

**Code: RS3-01** (White)  
**RS3-03SA** (Satin Gold)  
**RS3-04BR** (Brushed Chrome)  
**RS3-11** (Matte White)  
**RS3-12BR** (Brushed Nickel)  
**RS3-13** (Satin Nickel)  
**RS3-22** (Matte Black)  
**RS3-25** (Polar Grey)

Outside dimensions: 5" (127 mm) x 5" (127 mm)  
 Inside diameter:  $\varnothing$  3-11/16" (94 mm)

#### OPENING ADAPTOR

For round trims only.

Can lip adaptor for 3-1/2" (89 mm) pot in a 4-1/4" (108 mm) opening.

**Finish:** Galvanized steel

**Code: 312296**

Outside diameter:  $\varnothing$  4-5/16" (110 mm)  
 Inside diameter:  $\varnothing$  3-5/8" (92 mm)

# CONTRASTE

1009, rue du Parc Industriel  
 Lévis (Québec) G6Z 1C5 Canada  
 Tel.: 1-888-839-4624  
 Fax.: 1-877-839-7057  
 contrastlighting.com  
 info@contrastlighting.com

© 2017 Contrast Lighting M.L. Inc.  
 All rights reserved

Contrast Lighting M.L. Inc. reserves the right to make changes in specifications and/or to discontinue any product at any time without notice or obligation and will not be liable for any consequences resulting from the use of this publication.