

# REUR4

## 4" URBAĪ Series

### IC and Air Tight Remodel Housing

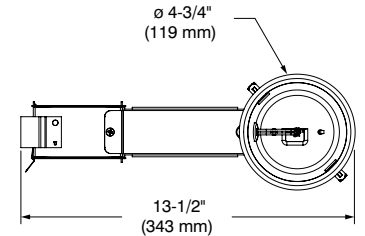
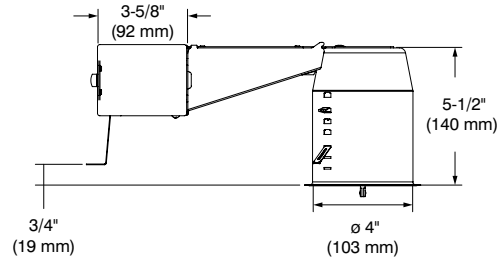


Project \_\_\_\_\_

Notes \_\_\_\_\_

Fixture Type \_\_\_\_\_

Date \_\_\_\_\_



## SPECIFICATIONS

### HOUSING DETAILS

Up to 0,051" (1,3 mm) thick galvanized steel housing. Approved for installation in insulated ceilings and in direct contact with insulating material (except polyurethane) on performance 1 only.  
19-1/2 in<sup>3</sup> junction box.  
Below-ceiling accessible.

### MOUNTING

**Cutout diameter:**  
**ø 4-1/4" (108 mm)**  
Can fit ceilings up to 1-1/4" (32 mm) thick.  
Requires a 7" (178 mm) clearance beyond the ceiling level.  
Snap-in hooks for ease of installation and a perfect fit to ceiling.  
No light leakage.

### PERFORMANCE

**1: 10W IC**  
up to 1,018 lm

**2: 15W Non-IC**  
up to 1,326 lm

Warm Dimming (WD)  
up to 650 lm

### VOLTAGE

120 Volts  
277 Volts  
120 / 277 Volts (universal)

### DIMMING

ELV: 120V only  
0-10V: Sourcing driver (Sinking Control)  
120V or 277V

We invite you to consult frequently our Website to find our suggested compatible dimmers list:  
[www.contrastlighting.com](http://www.contrastlighting.com)

### COMPATIBLE TRIMS

**JAB LISTED JAB8 CERTIFIED (CEC)**  
UR4A, UR4B, UR4C, UR4D, UR4E, UR4H, UR4J, UR4L

---

UR4G, UR4K

### CERTIFICATION

- cULus **E343977** for damp locations; wet with shower trim only.
- Air Tight tested in accordance with ASTM E283
- CALIFORNIA TITLE 24 (JA8-2016)  
*(Only available with Performance 1)*

### WARRANTY

1 year on components against manufacturing defects.  
5 years on LED arrays and drivers.



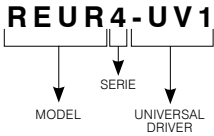
# REUR4

## 4" URBAÏ Series

### IC and Air Tight Remodel Housing



#### UNIVERSAL HOUSING CODIFICATION EXAMPLE



#### ORDERING CODES for Universal Housing

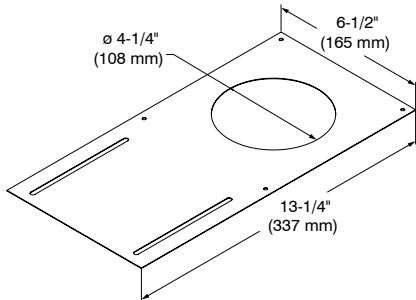
MODEL	SERIE	UNIVERSAL DRIVER
<b>REUR</b>	<b>4</b>	
<b>REUR</b> Remodel	<b>4</b> 4" Series	<b>-UV1 Performance 1</b> ELV (120V) 10W 0-10V (120V) 10W 0-10V (277V) 10W
		<b>-UV2* Performance 2</b> ELV (120V) 15W 0-10V (120V) 15W 0-10V (277V) 15W

Contraste suggests ordering **UV2 (ELV/0-10V/15W)** dimming type and performance to use with Warm Dimming

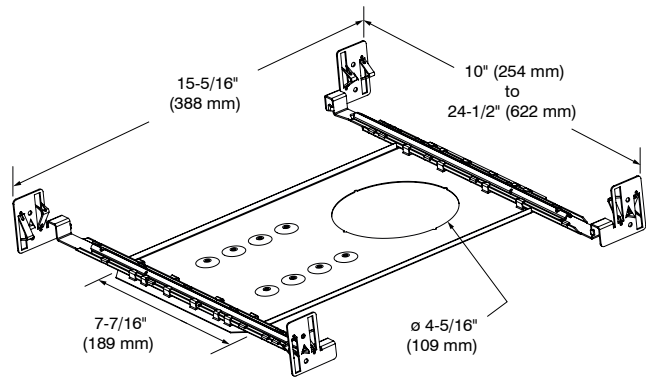
\* Non-IC rated

#### MOUNTING PLATES

Code: **P4RN** (without bars)  
**P4RNV** (with bars)



**P4RN**



**P4RNV**

# REUR4

## 4" URBAÏ Series

### IC and Air Tight Remodel Housing



#### GOOF RINGS

Goof rings will help you fix larger than necessary or damaged ceiling cutouts.

For round trims.

**Code: RR4-01** (White)  
**RR4-03SA** (Satin Gold)  
**RR4-04BR** (Brushed Chrome)  
**RR4-11** (Matte White)  
**RR4-12BR** (Brushed Nickel)  
**RR4-13** (Satin Nickel)  
**RR4-22** (Matte Black)  
**RR4-25** (Polar Grey)

Outside diameter:  $\varnothing$  6-1/8" (156 mm)

Inside diameter:  $\varnothing$  4-1/8" (105 mm)

For square trims.

**Code: RS4-01** (White)  
**RS4-03SA** (Satin Gold)  
**RS4-04BR** (Brushed Chrome)  
**RS4-11** (Matte White)  
**RS4-12BR** (Brushed Nickel)  
**RS4-13** (Satin Nickel)  
**RS4-22** (Matte Black)  
**RS4-25** (Polar Grey)

Outside dimensions: 5-1/2" (140 mm) x 5-1/2" (140 mm)

Inside diameter:  $\varnothing$  4-1/8" (105 mm)

# CONTRASTE