

Salt

Project _____

Notes _____

Fixture Type _____

Date _____

Lampshade with Adjustable Suspension System

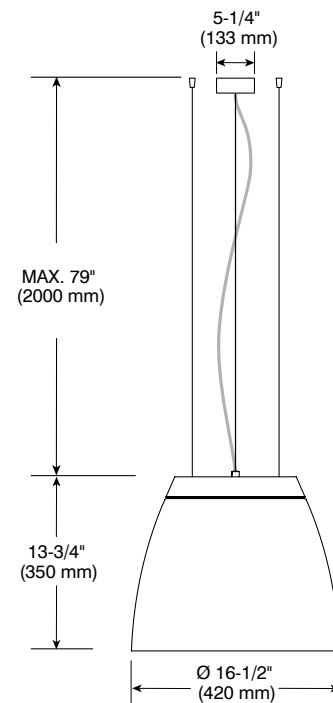
SALT-WWxx-30
(Illustrated)SALT-TBx-30
(Illustrated)SALT-WGx-30
(Illustrated)SALT-BGx-30
(Illustrated)SALT-TWx-30
(Illustrated)SALT-WRx-30
(Illustrated)SALT-BRx-30
(Illustrated)SALT-BWx-30
(Illustrated)

Only available in the Americas.

This decorative piece is ideal for the house or large spaces and offers good balance between functionality and superior design. With several LED performances and different finishes of lampshades, Salt is an ideal architectural piece for a warm and comfortable space.

SPECIFICATIONS

COLOR TEMPERATURE	3,000K
CRI	90 +
VOLTAGE	120V-277V Line voltage
PERFORMANCE	<p>Performance 1: 21W - 1,600 lumens Performance 2: 30W - 2,420 lumens Performance 3: 39W - 3,160 lumens Performance 4: 53W - 4,260 lumens</p> <p>TB-TW Polycarbonate Performance 1: 21W - 1,960 lumens Performance 2: 30W - 2,460 lumens Performance 3: 39W - 3,836 lumens Performance 4: 53W - 5,170 lumens</p> <p>ies file available on www.contrastlighting.com</p>
CANOPY	Painted aluminum: Matte White (W) or Matte Black (B)
LAMPSHADE MATERIAL	Aluminum or Polycarbonate
LENS	PMMA (Polymethyl Methacrylate)
CABLE	Suspension cables offered in 79" (2 000 mm) standard size.
MOUNTING	This canopy adapts to 4" (102 mm) junction box.
DIMMING	ELV, 0-10V We invite you to consult frequently our Web site to find our suggested compatible dimmers (ELV) list: www.contrastlighting.com
CERTIFICATION	cULus E357146 Certification for damp locations
WARRANTY	2 years



CONTRASTE

1009, rue du Parc Industriel
Lévis (Québec) G6Z 1C5 Canada
Tel.: 1-888-839-4624
Fax.: 1-877-839-7057
contrastlighting.com
info@contrastlighting.com

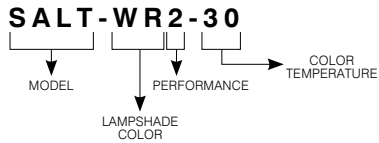
© 2017 Contrast Lighting M.L. Inc.
All rights reserved

Contrast Lighting M.L. Inc. reserves the right to make changes in specifications and/or to discontinue any product at any time without notice or obligation and will not be liable for any consequences resulting from the use of this publication.

Salt

Lampshade with Adjustable Suspension System

SALT CODIFICATION EXAMPLE



ORDERING CODE for Salt

MODEL	LAMP SHADE COLOR	PERFORMANCE	COLOR TEMPERATURE
SALT			30
SALT	WW White / White	1 1,600 lumens	30 3,000K
	WG White / Gold	2 2,420 lumens	
	WR White / Red*	3 3,160 lumens	
	BW Black / White	4 4,260 lumens	
	BG Black / Gold		
	BR Black / Red*		
	Polycarbonate		
	TB Translucent / Black	1 1,960 lumens	
	TW Translucent / White	2 2,460 lumens	
		3 3,836 lumens	
		4 5,170 lumens	

*Note: the red color inside the lampshade has a red-orange tint.