

Spin

ARKOS LIGHT BY/PAR **CONTRASTE**

Project _____

Notes _____

Fixture Type _____

Date _____

LED Suspended Lampshade



SPIN-B-30 (Illustrated)



SPIN-W-30 (Illustrated)

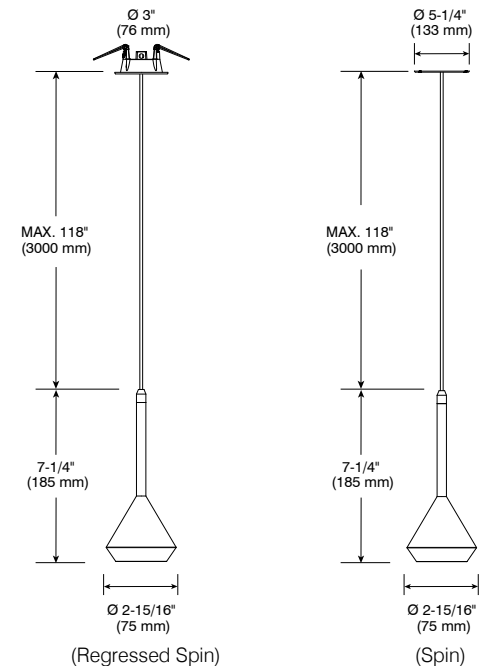


Only available in the Americas.

The Spin has a geometric design, fine lines and a design in one decorative piece of aluminum injected. With matte black and matte white finishes and a powerful light, Spin can be configured individually or in groups and becomes a perfect complement lighting.

SPECIFICATIONS

COLOR TEMPERATURE	3,000K
CRI	90 +
LED MODULE	CREE
VOLTAGE	120V Line voltage
PERFORMANCE	9W - 580 lumens ies file available on www.contrastlighting.com
LIFESPAN	50,000 hours
CANOPY	Painted aluminum: Matte White (W) or Matte Black (B)
LAMPSHADE MATERIAL	Painted aluminum: Matte White (W) or Matte Black (B)
LENS	PMMA (Polymethyl Methacrylate) Beam 40°



CONTRASTE

 2018-07
 Revision 1

PRINTED IN CANADA

 1009, rue du Parc Industriel
 Lévis (Québec) G6Z 1C5 Canada
 Tel.: 1-888-839-4624
 Fax.: 1-877-839-7057
contrastlighting.com
info@contrastlighting.com

 © 2018 Contraste Lighting M.L. Inc.
 All rights reserved

Contrast Lighting M.L. Inc. reserves the right to make changes in specifications and/or to discontinue any product at any time without notice or obligation and will not be liable for any consequences resulting from the use of this publication.

Spin

LED Suspended Lampshade

SPECIFICATIONS (CONT'D)

CABLE	Coaxial cables offered in 118" (3 000 mm) standard size.
CEILING CUTOUT	ø 2-5/8" (66 mm) for regressed version
MOUNTING	This canopy adapts to 4" (102 mm) junction box.
DIMMING	We invite you to consult frequently our Web site to find our suggested compatible dimmers (ELV) list: www.contrastlighting.com
CERTIFICATION	cULus E357146 Certification for damp locations
WARRANTY	2 years

JUNCTION BOX (INCLUDED)

