



Pot Lights for LED Lamps

3.5 inches

X3505

Project _____

Notes _____

Fixture type _____

Date _____

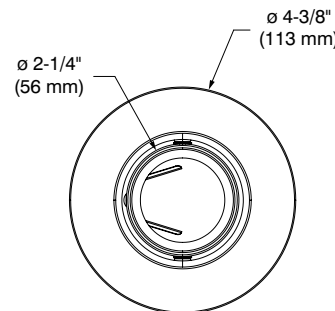
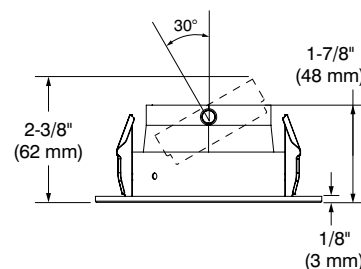
Adjustable Regressed Trim
with Haze Reflector



X3505-11-L (Illustrated)

SPECIFICATIONS

TRIM DETAILS	Powder coat painted or plated die-formed steel. Different finishes available.
ADJUSTABILITY	Tilt: 30°
REFLECTOR	Haze Reflector
LAMPS (maximum wattage)	GU10 LED 10W MAX If you want to use the dimming option, please refer regularly to the lamp manufacturer compatibility list.
CEILING CUTOUT	ø 3-3/4" (96 mm)
CERTIFICATION	ETL listed for damp location
WARRANTY	1 year limited warranty



COMPATIBLE HOUSINGS

Remodel IC Air Tight Housing	New Construction IC Air Tight Housing	Classic Insulated IC Air Tight Housing
XR35GU10-L	XN35GU10-L	XIC35GU10-L



Pot Lights for LED Lamps

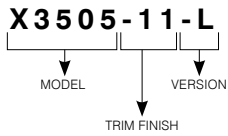
3.5 inches

X3505

Adjustable Regressed Trim with Haze Reflector



CODIFICATION EXAMPLE



ORDERING CODES

MODEL	TRIM FINISHES	VERSION
X3505		-L
X3505	Adjustable Regressed Trim with Haze Reflector	
	-11 Matte White	-L
	-13 Satin Nickel	
	-22 Matte Black	