



Pot Lights for LED Lamps

4 inches

X4002

Project _____

Notes _____

Fixture type _____

Date _____

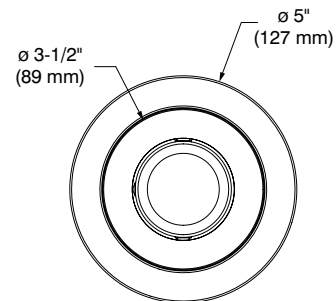
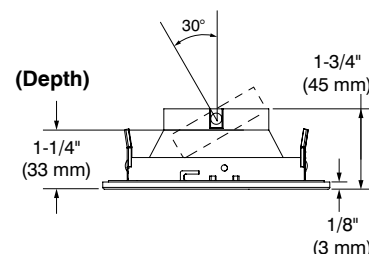
Adjustable Regressed Trim
with Haze Reflector



X4002-11-L (Illustrated)

SPECIFICATIONS

TRIM DETAILS	Powder coat painted or plated die-formed steel. Different finishes available.
ADJUSTABILITY	Tilt: 30°
REFLECTOR	Haze Reflector
LAMPS (maximum wattage)	PAR16 LED 12W MAX If you want to use the dimming option, please refer regularly to the lamp manufacturer compatibility list.
CEILING CUTOUT	ø 4-1/4" (108 mm) ø 4-3/8" (110 mm) — With Remodel Housing
CERTIFICATION	ETL listed for damp location
WARRANTY	1 year limited warranty



COMPATIBLE HOUSINGS

Remodel IC Air Tight Housing	New Construction IC Air Tight Housing	Insulated IC Air Tight Housing
XR40PAR-L	XN40PAR-L	XIC40PAR-L



Pot Lights for LED Lamps

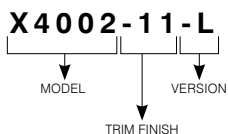
4 inches

X4002

Adjustable Regressed Trim with Haze Reflector



CODIFICATION EXAMPLE



ORDERING CODES

MODEL	TRIM FINISHES	VERSION
X4002		-L
X4002	Adjustable Regressed Trim with Haze Reflector	
	-11 Matte White	-L
	-13 Satin Nickel	
	-22 Matte Black	