



# Insulated Box IC Air Tight GU10 Housing

3.5 inches

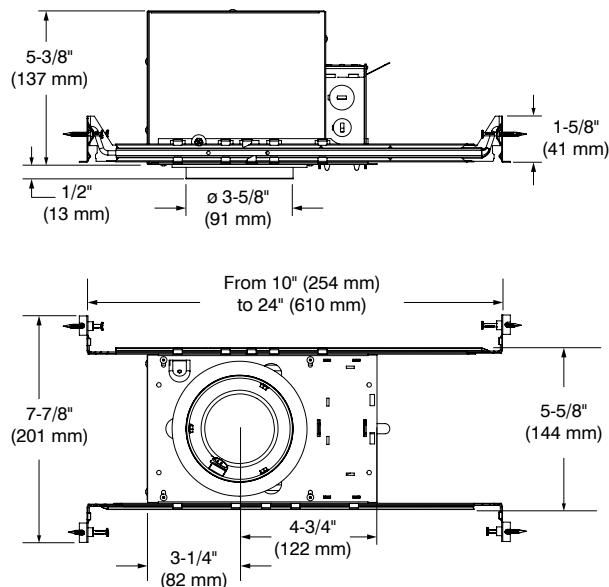
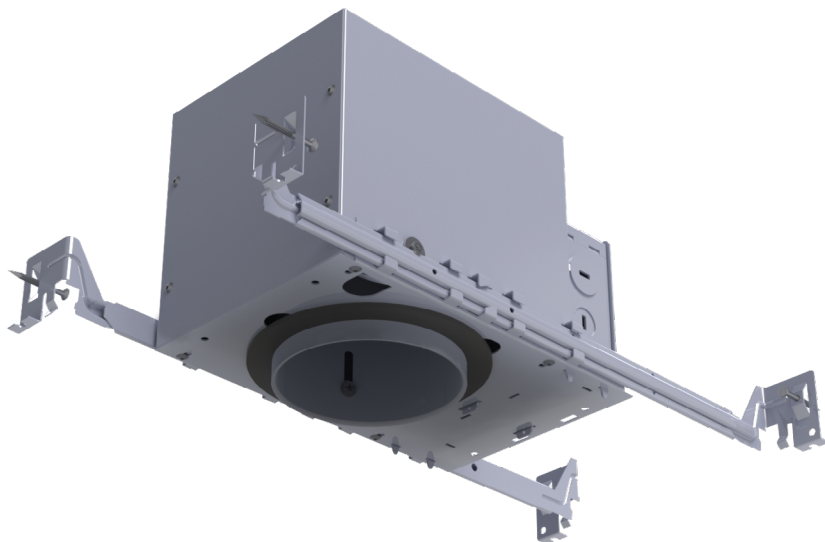
## XIC35GU10-L

Project \_\_\_\_\_

Notes \_\_\_\_\_

Fixture type \_\_\_\_\_

Date \_\_\_\_\_



### SPECIFICATIONS

HOUSING DETAILS	Galvanized Steel Approved for installation in insulated ceiling with direct contact to insulating material (except polyurethane) Below-ceiling accessible
SOCKET	GU10; Twist and Lock
JUNCTION BOX	Convenient 24 <sup>3</sup> in 1/2" and 3/4" romex wiring knockouts
MOUNTING	<p><b>Cutout diameter: <math>\varnothing</math> 3-3/4"</b></p> <p>Can fit in ceilings of 1/2" (13 mm) up to 1-3/8" (35 mm) thick Requires a 6" (152 mm) clearance beyond the ceiling material No light leakage</p> <p><b>Adjustable Mounting Bars</b></p> <ul style="list-style-type: none"> <li>• 10" (254 mm) to 24" (610 mm) to fit in most ceiling structures</li> <li>• Contains integral nail</li> <li>• Hanger fit onto T-bar spline for quick alignment</li> </ul>
SOURCE	<b>LED GU10 Lamp 10W MAX</b>
COMPATIBLE	X3501      X3504
TRIMS	X3503      X3505
VOLTAGE	120V/277V



# Insulated Box IC Air Tight GU10 Housing

3.5 inches

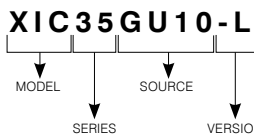
## XIC35GU10-L



### SPECIFICATIONS (CONT'D)

CERTIFICATION	ETL listed for damp locations and wet with shower trim
WARRANTY	1 year limited warranty

### CODIFICATION EXAMPLE



### ORDERING CODES

MODEL	SERIES	SOURCE	VERSION
<b>XIC</b>	<b>35</b>	<b>GU10</b>	<b>-L</b>
<b>XIC</b> Insulated Box Housing	<b>35</b> 3-1/2" Series	<b>GU10</b> GU10	<b>-L</b>